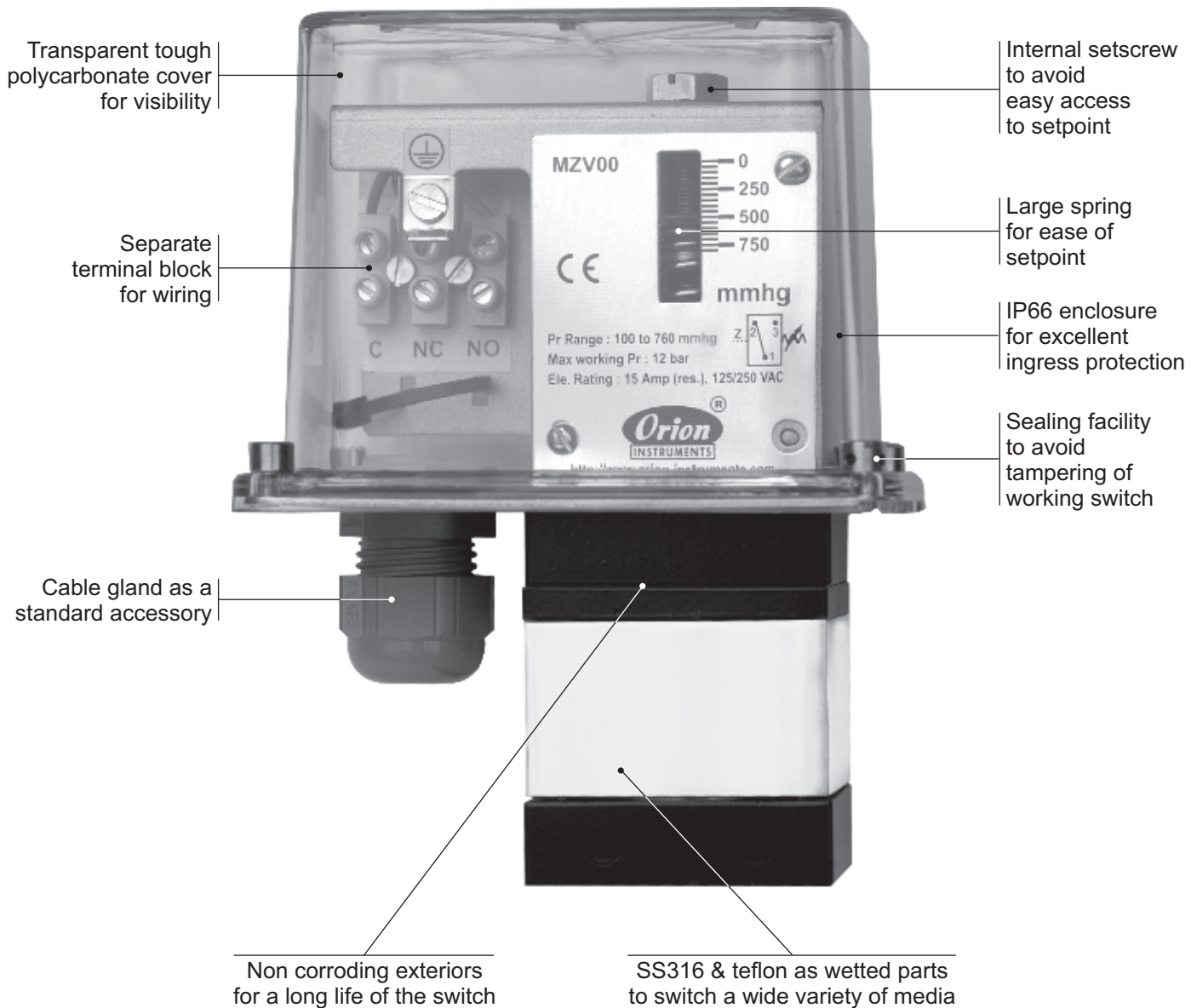


# MZ VACUUM SWITCHES

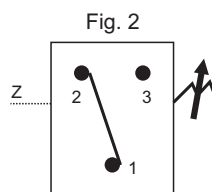


**Approximate Weight :** 1.160 Kg.

**Some Applications :**

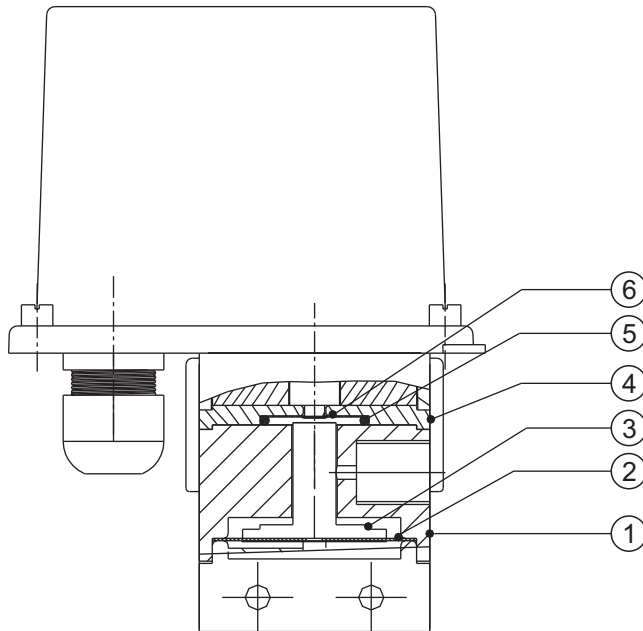
Used in filters, vacuum pumps, blower systems, etc.

**Electrical Connection :**





## PRESSURE CAPSULE DETAILS

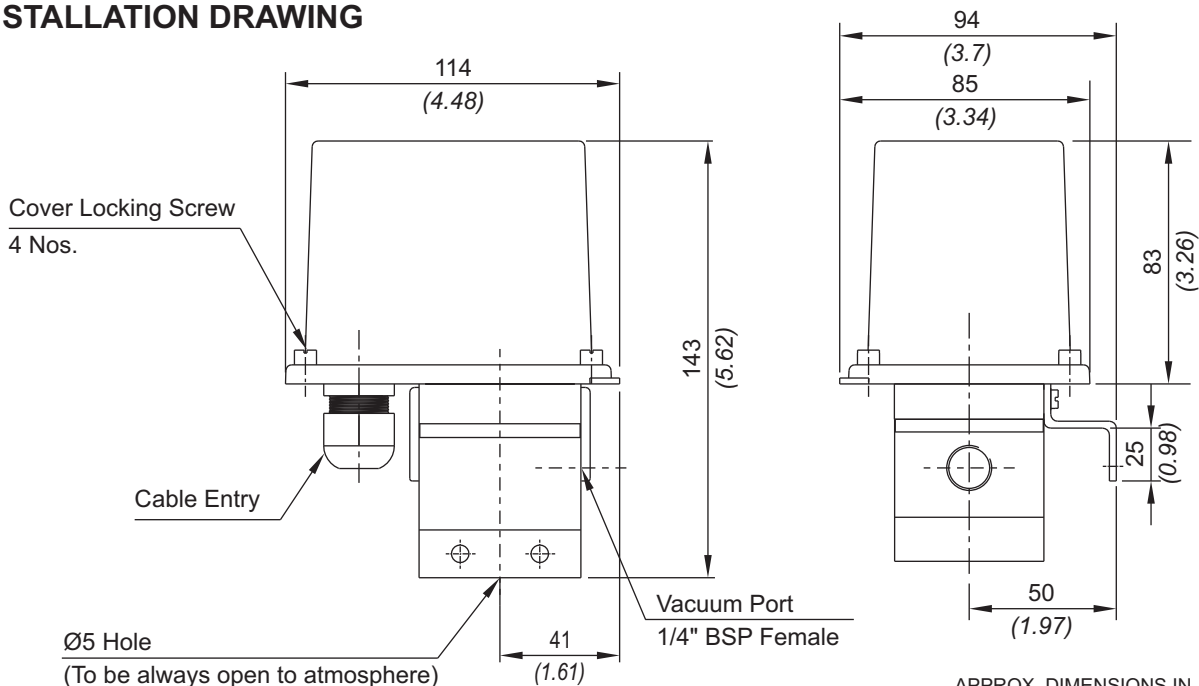


### No. Description

1. *Disc*
2. *Diaphragm*
3. *Plunger (SS316)*
4. *Junction Plate*
5. *Sealing 'O' Ring (Teflon®)*
6. *Sealing diaphragms (Teflon®)*

Note : *wetted parts* are mentioned in italics.

## INSTALLATION DRAWING



APPROX. DIMENSIONS IN  $\frac{\text{mm}}{\text{inches}}$

# MZ VACUUM SWITCHES

## RANGE SELECTION TABLE

Range Code	Range mm Hg ("Hg)	Differential* mm Hg ("Hg)	Maximum Working Pressure bar (psi)
		Approximate Maximum for "A8" microswitch	
V00	† 760 - 100 (29.92 - 3.94)	50 (1.97)	12 (174.05)

\*Minimum differential increases with setpoint (Graphs available on request)

† Typical values achieved at sea level, total vacuum that can be achieved varies mainly with altitude.

## HOW TO ORDER PROCESS VACUUM SWITCHES

Group 1	Group 2	Group 3	Group 4	Group 5	Group 6	Group 7	Group 8
Non standard allocation	Model	Cable Entry Size	Switch Type	Range Code (values in mmHg)	Microswitch Type	Pressure Port Material / Size	Diaphragm
<input type="checkbox"/> Reserved for non-standard options not covered in catalogue. Will be given by manufacturer, only after agreement of supply details with customer.	<b>MZ</b> = Process pressure switch with tough transparent polycarbonate enclosure to IP66 as per IS2147	<b>3</b> = M20 X 1.5 cable gland	<b>VF2</b> = vacuum switch, fixed differential with scale in mmHg <b>VF3</b> = vacuum switch, fixed differential with scale in "Hg <b>*VA2</b> = vacuum switch, adjustable differential with scale in mmHg <b>*VA3</b> = vacuum switch, adjustable differential with scale in "Hg *Available only with option A9 in Group 6	<b>V00</b> = († 760 - 100)	<b>A8</b> = General purpose microswitch rated at 5 A; 250 VAC <b>A7</b> = 2SPDT microswitches <b>A9</b> = General purpose microswitch rated @ 5A, 250 VAC	<b>A1</b> = Aluminium / ¼" BSP(F) <b>A2</b> = Aluminium / ¼" NPT(F) <b>S1</b> = SS316 / ¼" BSP(F) <b>S2</b> = SS316 / ¼" NPT(F)	<b>0</b> = Neoprene <b>1</b> = Teflon

eg. A process vacuum switch with fixed differential having 760 mmHg vac to 100 mmHg vac vacuum range, with 5 Amp. microswitch, SS316 pressure housing with ¼" BSP port size & neoprene diaphragm shall be specified by

Group 1	Group 2	Group 3	Group 4	Group 5	Group 6	Group 7	Group 8
<input type="checkbox"/>	MZ	3	VF2	V00	A8	S1	0

Please specify full model number to avoid ambiguity.