



**PRESSURE SWITCHES
PRESSURE DIFFERENCE SWITCHES
VACUUM SWITCHES**
From 1.5 mbar to 600 bar

MT Vacuum Switch CATALOGUE



Certificate No.: FM72815



Kaustubha Udyog AN ISO9001:2008 COMPANY

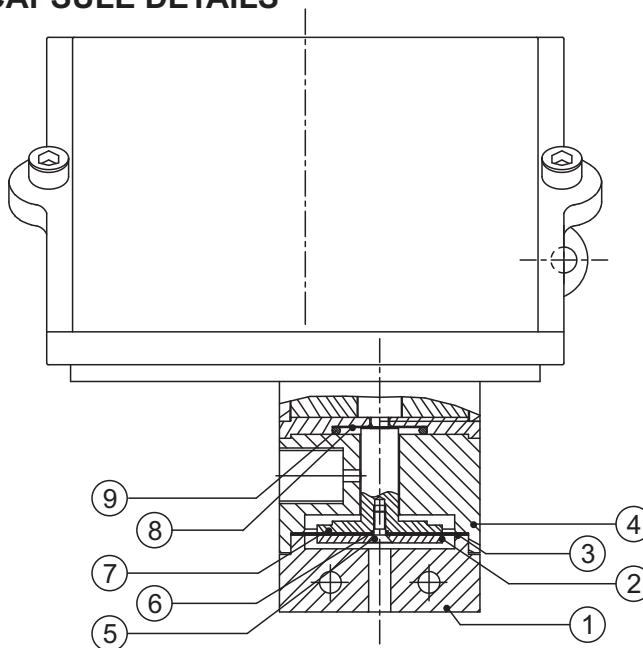
S. No. 36/1/1, Sinhgad Road, Vadgaon Khurd,
Near Lokmat Press, Pune 411 041 INDIA
Tel. : +91-(0) 20-24393577 / 24393877
Telefax: +91-(0) 20-24393577 / 25460486
Email : pressure@vsnl.com

Website : <http://www.orion-instruments.com>

BULLETIN NO. : KA170801



PRESSURE CAPSULE DETAILS

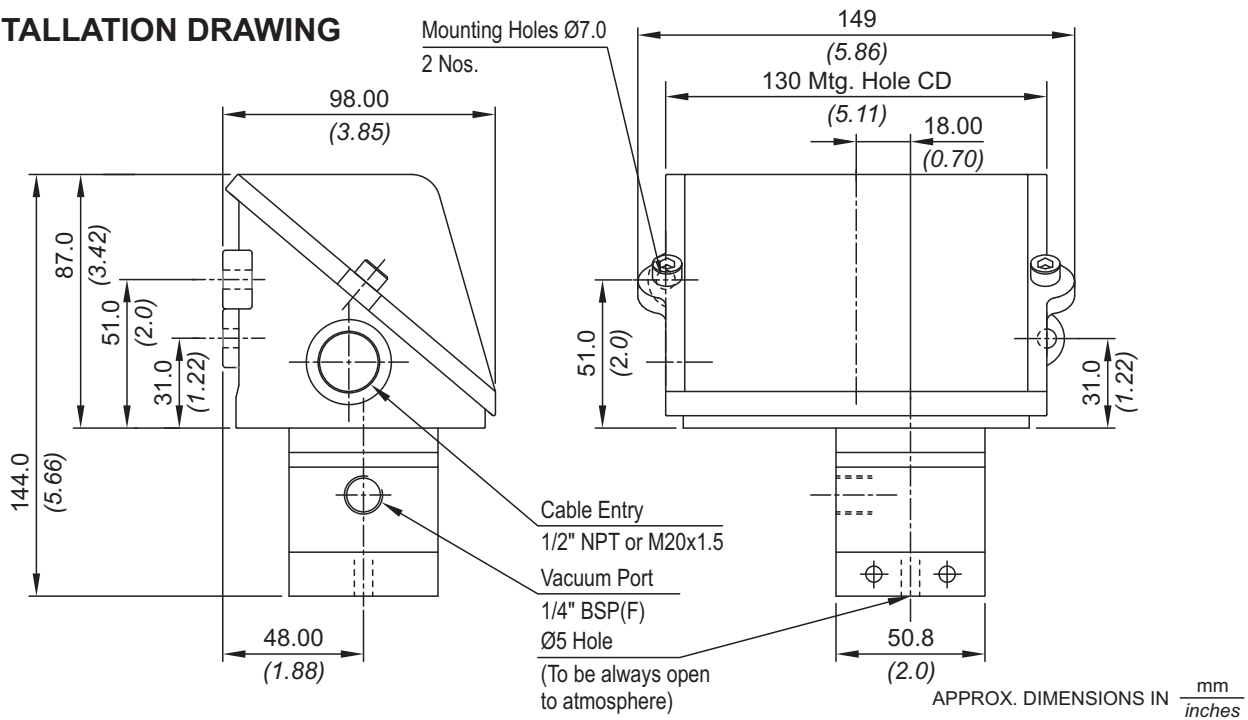


No. Description

1. Pressure Housing
2. HP Plunger (SS 316)
3. Diaphragm
4. Disc
5. CSK Screw (SS)
6. O-Ring (Teflon)
7. LP Plunger (SS 316)
8. Sealing Diaphragm (Teflon)
9. Sealing O-Ring (Teflon)

Note : *wetted parts* are mentioned in italics.

INSTALLATION DRAWING



RANGE SELECTION TABLE

Range Code	Range mm Hg (" Hg)	Differential* mm Hg ("Hg)	Maximum Working Pressure bar (psi)
		Approximate Maximum for "A1" microswitch	
V00	† 760 - 100 (29.92 - 3.94)	30 (1.181)	12 (174.05)

*Minimum differential increases with setpoint (Graphs available on request)

† Typical values achieved at sea level, total vacuum that can be achieved varies mainly with altitude.

*** Note :**

Microswitches A2 through A7 can be supplied in some ranges and differentials will vary with microswitch used. Please contact sales office for details. Please check availability of adjustable differential with sales office.

HOW TO ORDER INDUSTRIAL VACUUM SWITCHES

Group 1	Group 2	Group 3	Group 4	Group 5	Group 6	Group 7	Group 8
Non standard allocation	Model	Cable Entry Size	Switch Type	Range Code (values in mmHg)	Microswitch Type	Pressure Port Material / Size	Diaphragm
<input type="checkbox"/> Reserved for non-standard options not covered in catalogue. Will be given by manufacturer, only after agreement of supply details with customer.	MT = Industrial pressure switch with diecast Aluminium enclosure to IP66 as per IS2147	1 = 1/2" NPT threads 3 = M20 X 1.5 threads	VF1 = vacuum switch, fixed differential without scale VF2 = vacuum switch, fixed differential with scale in mmHg VF3 = vacuum switch, fixed differential with scale in "Hg *VA1 = vacuum switch, adjustable differential without scale *VA2 = vacuum switch, adjustable differential with scale in mmHg *VA3 = vacuum switch, adjustable differential with scale in "Hg *Available with A9 (in group 6) only	V00 = († 760 - 100)	A1 = General purpose microswitch rated at 15 A; 250 VAC *A2 = Hermetically sealed for corrosive environments *A3 = gold plated contacts for low voltage applications *A4 = DPDT configuration *A5 = for high DC ratings *A7 = 2SPDT switching elements *A9 = General purpose microswitch rated at 5 A; 250 VAC Please refer page no. 230 for more microswitch options * Please refer note under Range Selection Table	A1 = Aluminium / 1/4" BSP(F) A2 = Aluminium / 1/4" NPT(F) S1 = SS316 / 1/4" BSP(F) S2 = SS316 / 1/4" NPT(F)	0 = Neoprene 1 = Teflon
<input type="checkbox"/>	MT	1	VF1	V00	A1	S1	0

eg. A vacuum weatherproof switch, with 1/2" NPT cable entry in aluminium housing as 1SPDT pressure switch, fixed differential without scale, having 760 mmHg to 100 mmHg vacuum range, with 15Amp. microswitch, SS316 pressure housing with 1/4" BSP port size & neoprene diaphragm shall be specified by

Please specify full model number to avoid ambiguity.