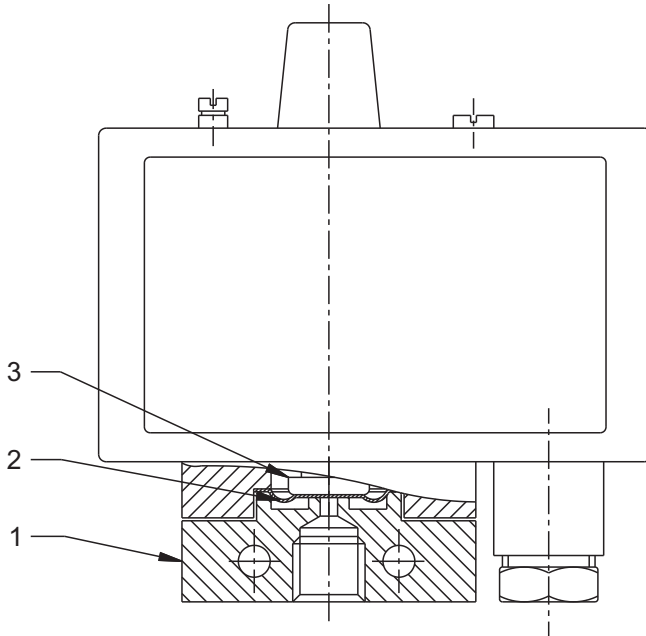


MG / ME HIGH RANGE PRESSURE SWITCHES



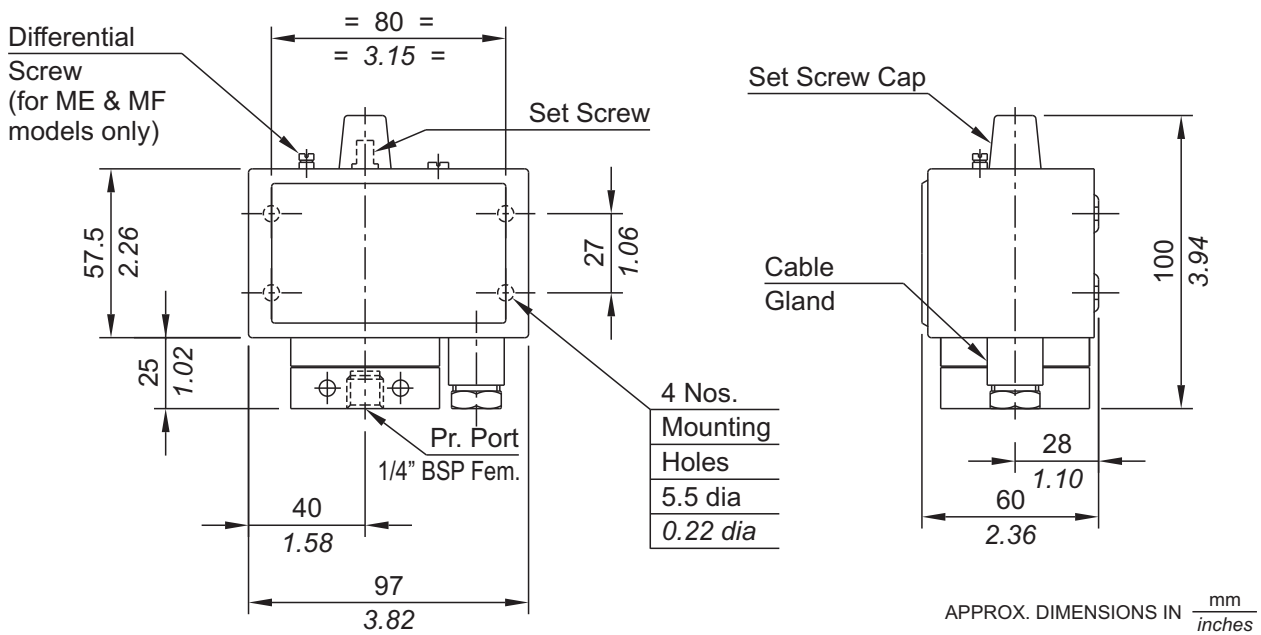
PRESSURE CAPSULE DETAILS



- No. Description**
1. Pressure Housing
 2. Diaphragm
 3. Plunger

Note : *wetted parts* are mentioned in italics.

INSTALLATION DRAWING



HIGH RANGE PRESSURE SWITCHES MG / ME

General information:

MG / ME series pressure switches are housed in pressed steel powder coated enclosure and are recommended for panel mounting or indoor service. The repeat accuracy is better than $\pm 1.5\%$ FSR. A 3/8" cable entry is provided for cables and a terminal strip suitable for wired ends is provided inside the enclosure. Pressure port is 1/4" BSPF standard.

Features:

- Compact
- Choice of wetted parts to suit working media
- Electrical rating : 5A, 250 VAC; 0.2 A, 250VDC (res.)
- Proof pressure available can be 4 times MWP (optional)
- Pressure port: 1/4" BSPF

Some Applications : Used in textile industries, furnaces, compressors, etc.

Range Selection Table

Range Code	Range † bar (psi)	MG		ME	
		*Approximate Maximum Differential bar (psi)	* Adjustable Differential bar (psi)	Maximum Working Pressure bar (psi)	
LP	0.067 - 0.213 (0.96 - 3.09)	0.02 (0.30)	-	5 (72.52)	
LP5	0.1 - 0.5 (1.45 - 7.25)	0.10 (1.45)	-	5 (72.52)	
H01	0.1 - 1.0 (1.45 - 14.50)	0.08 (1.16)	0.12 - 1.0 (1.74 - 14.50)	12 (174.05)	
H02	0.1 - 1.5 (1.45 - 21.76)	0.10 (1.45)	0.3 - 1.0 (4.35 - 14.50)	12 (174.05)	
H03	0.2 - 2.6 (2.90 - 37.71)	0.20 (2.90)	0.3 - 1.5 (4.35 - 21.76)	12 (174.05)	
H04	0.2 - 3.6 (2.90 - 52.21)	0.20 (2.90)	0.3 - 1.5 (4.35 - 21.76)	12 (174.05)	
H07	0.5 - 7.0 (7.25 - 101.53)	0.40 (5.80)	1.0 - 6.0 (14.50 - 87.02)	12 (174.05)	
H10	0.5 - 10.0 (7.25 - 145.04)	0.60 (8.70)	1.5 - 8.0 (21.76 - 116.03)	25 (362.6)	
H15	1.0 - 15.0 (14.50 - 217.71)	0.60 (8.70)	1.8 - 10.0 (26.11 - 145.04)	25 (362.6)	
H30	5.0 - 25.0 (72.52 - 362.6)	2.50 (36.26)	2.5 - 10.0 (36.26 - 145.04)	35 (507.63)	

*Minimum differential increases with setpoint (Graphs available on request)

† rising pressure for MG series; falling pressure for ME series

? approx 50 mm Hg to 160 mm Hg. Scale calibrated in mm Hg for this range only.

How to order MG / ME series high range pressure switches.

Group 1	Group 2	Group 3	Group 4	Group 5	Group 6
Model	Range Code	Range Scale	Pressure Housing	Diaphragm	Enclosure
MG - Fixed Differential Pressure Switch ME - Adj. Differential Pressure Switch	H - High range Pressure Switch	C - Calibrated	A - Aluminium B - Brass S - SS316	0 - Neoprene 1 - Teflon	0 - IP 40 as per IS 2147

eg. A fixed differential pressure switch, high pressure range from 0.1-1.0 bar in calibrated style with brass pressure housing & a teflon diaphragm shall be specified by

Group 1	Group 2	Group 3	Group 4	Group 5	Group 6
MG	H01	C	B	1	0

Please specify full model number to avoid ambiguity. If only the first two groups are specified while ordering, calibrated switches with standard wetted parts will be supplied.