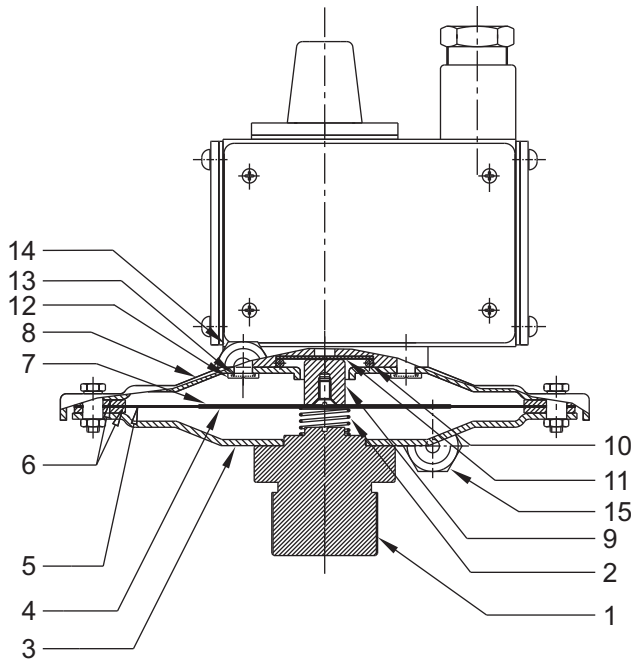


PD LOW RANGE PRESSURE DIFFERENCE SWITCHES (M.S.)



PRESSURE CAPSULE DETAILS



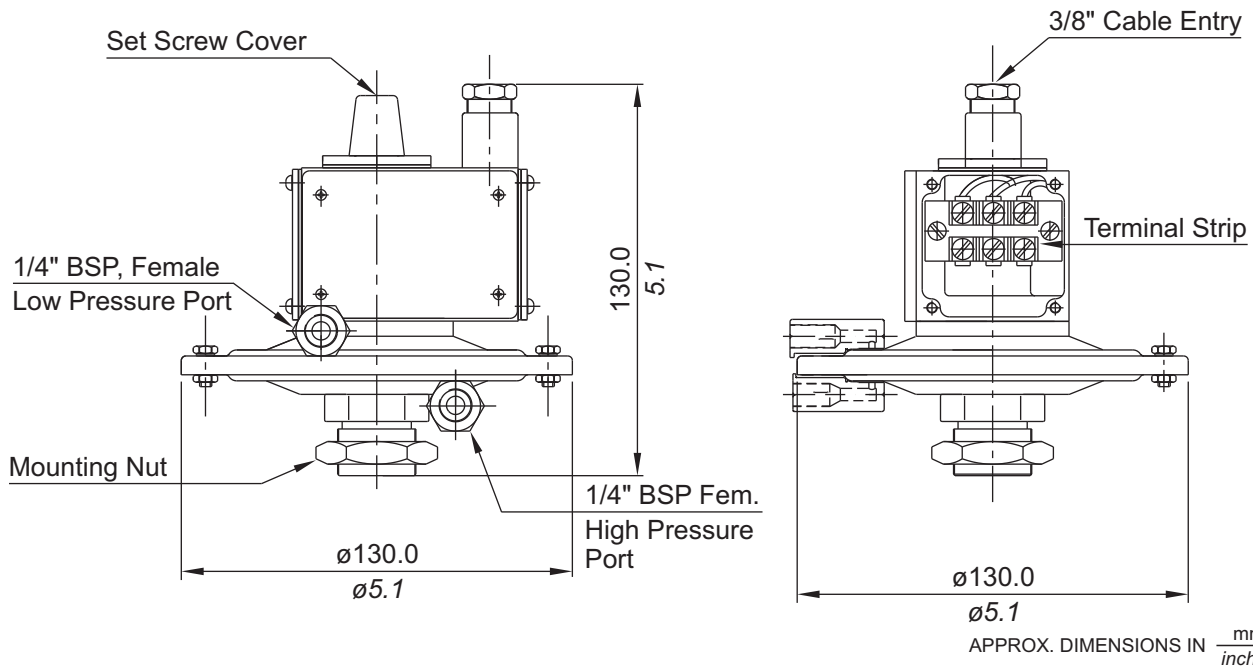
No. Description

1. Pressure housing (M.S.)*
2. Support spring (S.S.)
3. Bottom flange (M.S.)*
4. Support plate (Aluminium)
5. Diaphragm (Neoprene)
6. Gasket (Nitrile)
7. Top plate (Aluminium)
8. Top flange (M.S.)*
9. Transfer pin (Aluminium)
10. O' Ring (Teflon)
11. Sealing diaphragm (Teflon)
12. Top flange screw (M.S.)
13. Sealing 'O' Ring (Nitrile)
14. Low Pressure Port(M.S)
15. High Pressure Port(M.S)

Note : *wetted parts* are mentioned in italics.

*Pressure housing is brazed with bottom flange

INSTALLATION DRAWING



LOW RANGE PRESSURE DIFFERENCE SWITCHES (M.S.) PD

GENERAL INFORMATION :

PD series pressure difference switches are housed in pressure die cast aluminium powder coated enclosure and are recommended for panel mounting or outdoor service based on the type of enclosure opted for. The repeat accuracy is better than $\pm 2\%$ FSR. A 3/8" cable entry is provided for cables and a terminal strip suitable for wired ends is provided inside the enclosure. Pressure ports are 1/4" BSPF standard.

FEATURES :

- Compact
- Separate chamber for working parts
- Electrical rating : 5A, 250VAC; 0.2A, 250 VDC (res.)
- High pressure port : 1/4" BSPF
- Low pressure port : 1/4" BSPF
- Can be used for Δp between +ve +ve, -ve +ve & -ve -ve pressure/vacuum

Some Applications : Used in low vacuum systems, clean room applications, air blower systems, furnaces, cooling systems, etc.

Range Selection Table

Range Code	Range (Δp) mm wc ("wc) (falling)	*Approximate Maximum Differential (Fixed) mm wg ("wc)	Maximum Working Pressure bar (psi)
L02	15 - 150 (0.590 - 5.905)	30 (1.181)	0.5 (7.252)
L03	50 - 250 (1.969 - 9.843)	50 (1.969)	0.5 (7.252)
L05	100 - 500 (3.937 - 19.685)	50 (1.969)	0.5 (7.252)
L10	100 - 1000 (3.937 - 39.370)	50 (1.969)	0.5 (7.252)
L15	100 - 1500 (3.937 - 59.055)	50 (1.969)	0.5 (7.252)
L25	200 - 2500 (7.874 - 98.425)	150 (5.906)	0.5 (7.252)

* Maximum differential increases with setpoint. (Graphs available on request)

How to order PD low range series switches

Group 1	Group 2	Group 3	Group 4	Group 5	Group 6
Model	Range Code	Range Scale	Pressure Housing	Diaphragm	Enclosure
PD - Pressure Difference Switch	L - Low Pressure Range	U - Uncalibrated C - Calibrated	M - Mild Steel	0 - Neoprene	0 - Standard (IP 54) 1 - IP 65 as per IS 2147

Eg. A pressure difference switch, low range pressure from 50 to 250 mm WC in calibrated style with mild steel pressure housing and neoprene diaphragm as wetted parts, with standard enclosure shall be specified by

Group 1	Group 2	Group 3	Group 4	Group 5	Group 6
PD	L03	C	M	0	0

Please specify full model number to avoid ambiguity. If only the first two groups are specified while ordering, uncalibrated switches with standard wetted parts and enclosures will be supplied.