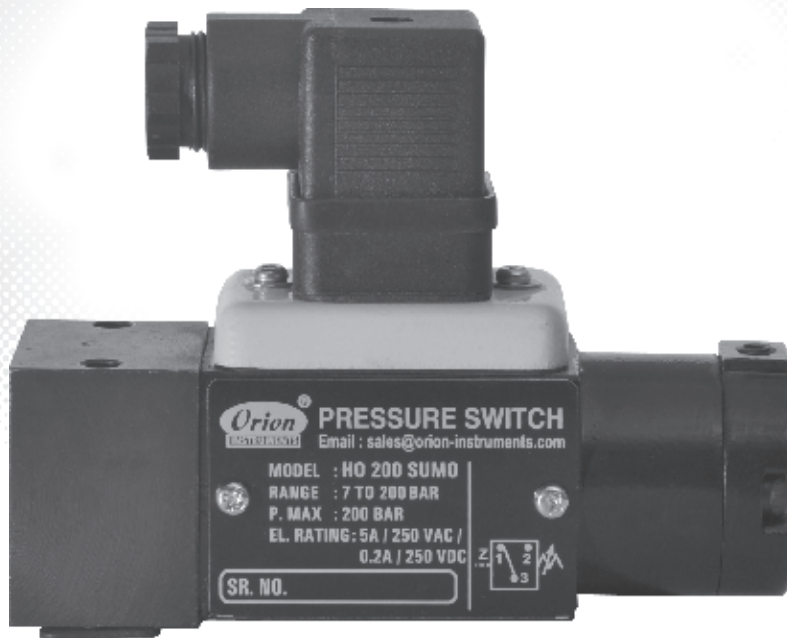




PRESSURE SWITCHES
PRESSURE DIFFERENCE SWITCHES
VACUUM SWITCHES
From 1.5 mbar to 600 bar

H0 Hydraulic Pressure Switch

CATALOGUE



Certificate No.: FM72815



Kaustubha Udyog AN ISO9001:2000 COMPANY

S. No. 36/1/1, Sinhgad Road, Vadgaon Khurd,
Near Lokmat Press, Pune 411 041 INDIA
Tel.: +91-(0) 20-24393577 / 24393877
Telefax : +91-(0) 20-25460486 / 24393577
Email : pressure@vsnl.com

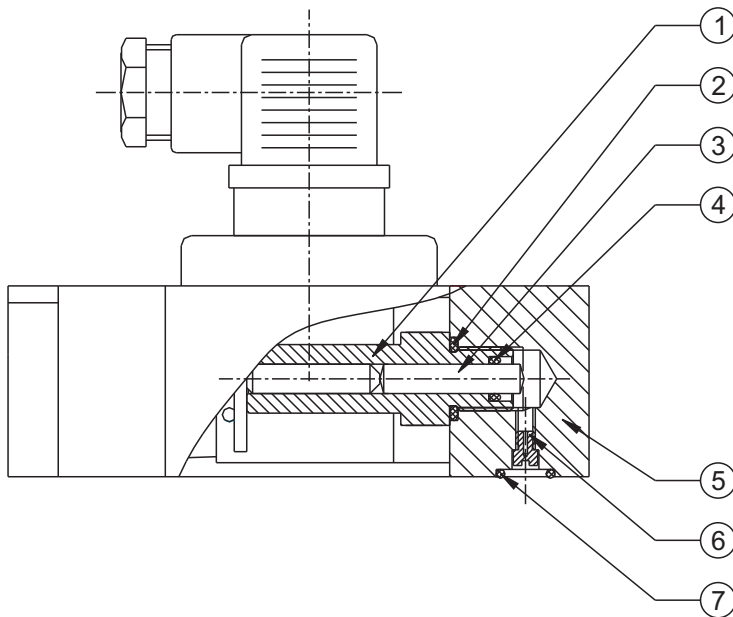
Website : <http://www.orion-instruments.com>

BULLETIN NO. : KA130809

HO HYDRAULIC PRESSURE SWITCHES



PRESSURE CAPSULE DETAILS



No. Description

1. Adapter
2. O Ring
3. Piston
4. Piston Seal
5. Block
6. Surge Reducer
7. Sealing O ring

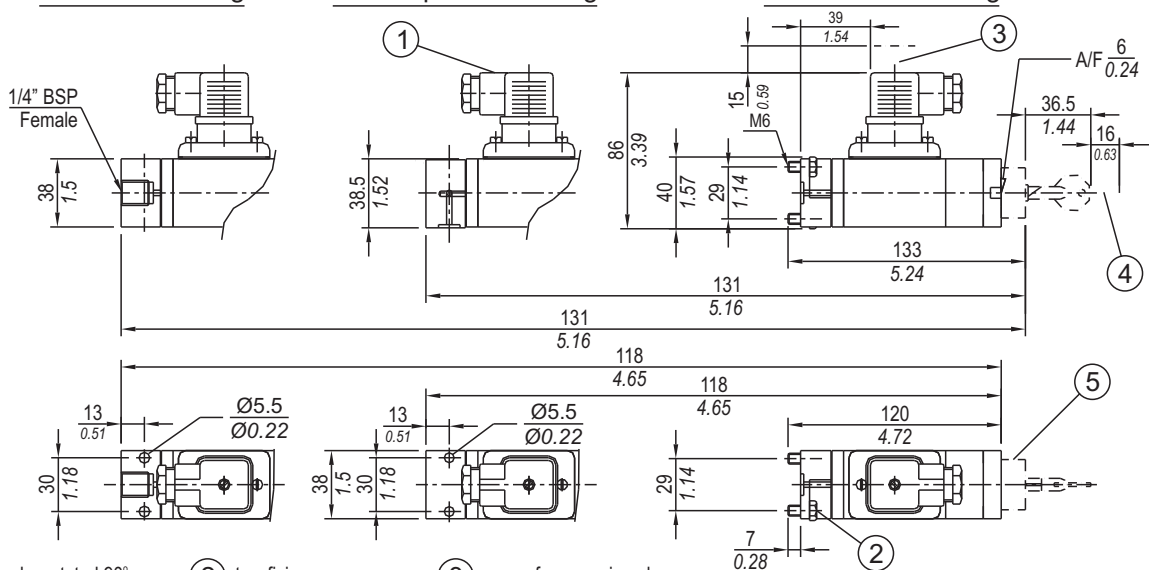
Note : *wetted parts* are mentioned in italics.

INSTALLATION DRAWING

For line mounting

For subplate mounting

For vertical stacking



- ① can be rotated 90° ② two fixing screws ③ space for removing plug
- ④ space for removing key ⑤ lockable protective cap

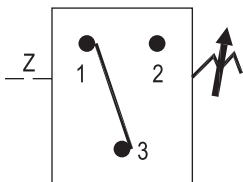
APPROX. DIMENSIONS IN $\frac{\text{mm}}{\text{inches}}$

HYDRAULIC PRESSURE SWITCHES **HO**

General information:

HO series pressure switches have a machined aluminium powder coated enclosure and are recommended for manifold mounting hydraulic applications. The repeat accuracy is better than $\pm 1\%$ FSR. A connector to DIN 43650 is provided for wiring. For electrical connection please refer Fig. 1.

Fig. 1.



Features:

- Compact
- Lightweight
- Three mounting styles
- Lockable protective cap to avoid tampering (optional)
- Electrical rating : 5A, 250 VAC; 0.2 A, 250 VDC (res.)

Some Applications : Used in compressors, hydraulic power packs, manifolds/stacks with sandwich plates, high/low pressure alarms in CNC machines etc.

Range Selection Table

Range Code	Range (falling pressure) bar (psi)	*Approximate Maximum Differential bar (psi)	Maximum Working Pressure bar (psi)
040	3 - 40 (43.51 - 580.15)	10 (145.04)	200 (2900.76)
100	10 - 100 (145.04 - 1450.38)	25 (362.60)	200 (2900.76)
200	7 - 200 (101.52 - 2900.76)	25 (362.60)	200 (2900.76)
350	35 - 350 (507.63 - 5076.32)	40 (580.15)	400 (5801.51)
400	100 - 400 (1450.38 - 5801.51)	60 (870.22)	500 (7251.89)

*differential rises with setpoint (Graphs available on request)

How to order HO Hydraulic Series pressure switches.

Group 1	Group 2	Group 3	Group 4	Group 5	Group 6
Model	Range Code	Base Type	Protective Cap	Wetted Parts	Enclosure*
HO - Hydraulic Pressure Switch	Hydraulic Pressure Range	S - for Subplate mounting. L - for line Mounting V - for vertical Stacking	U - without any protective cap P - with a lockable protective cap	M - for Standard Wetted parts.	0 - IP 65 as per IS 2147

eg. A hydraulic pressure switch, pressure range from 3 to 40 bar, as a vertical element with a lockable protective cap & standard wetted parts with a standard enclosure shall be specified by

Group 1	Group 2	Group 3	Group 4	Group 5	Group 6
HO	040	V	P	M	0

Please specify full model number to avoid ambiguity. If only the first two groups are specified while ordering, pressure switches with standard wetted parts will be supplied.

WARRANTY :

Our products are warranted against defect in specified material and workmanship under specified normal service conditions for 12 months after being placed in service but not more than 18 months from the date of shipment, provided such items are returned free to our works at PUNE.

Company's liability in respect of defective parts is limited to making good by replacement, or repair defects, to be determined by the company. This is, provided the purchaser has given immediate written notice upon discovery of such defects, but within the time specified above. The replaced / repaired parts will be supplied exworks.

The company will be relieved of its obligation if any arbitrary attempt to rectify has been undertaken by purchaser/user. This warranty does not cover normal wear and tear and damage due to corrosion or erosion.

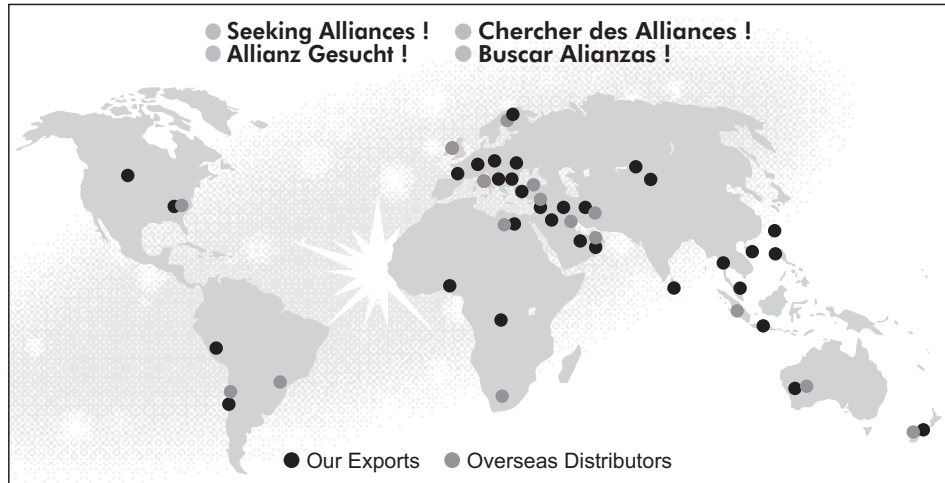
The company's liability is limited to making good the part or parts which are defective and excludes any and every other obligation for loss or damage, direct or consequential.

The foregoing is in lieu of all other expressed and implied warranties(except of title), including those of merchantability and fitness for a particular purpose.

Although we provide application assistance, either through our literature or personally, it is the responsibility of the customer to determine the suitability of the product in the application. Customer's interpretation and implementation of application suggestions and recommendation by Kaustubha Udyog, general or specific, transmitted verbally or in writing, published or unpublished, is strictly at the buyer's own risk.

Your Local Representative

REPRESENTATIVES



Note : As efforts are made constantly to improve both design and method of manufacture, the apparatus supplied may differ in detail from illustration and data printed. Please check the specifications while ordering

Kaustubha Udyog (Orion Instruments)

Registered Office :
7, Parichaya Society, 1000/6D, Navi Peth, Pune 411 030 INDIA
Tel.: +91-(0) 20-24532124 / 24531053
Telefax : +91-(0) 20-25460486 / 24532124

Marketing Office :
S. No. 36/1/1, Sinhgad Road, Vadgaon Khurd,
Pune 411 041 INDIA
Tel.: +91-(0) 20-24393877
Telefax : +91-(0) 20-24393577 / 25460486

Certificate No.: FM72815



Email : pressure@vsnl.com / info@orion-instruments.com Website : www.orion-instruments.com