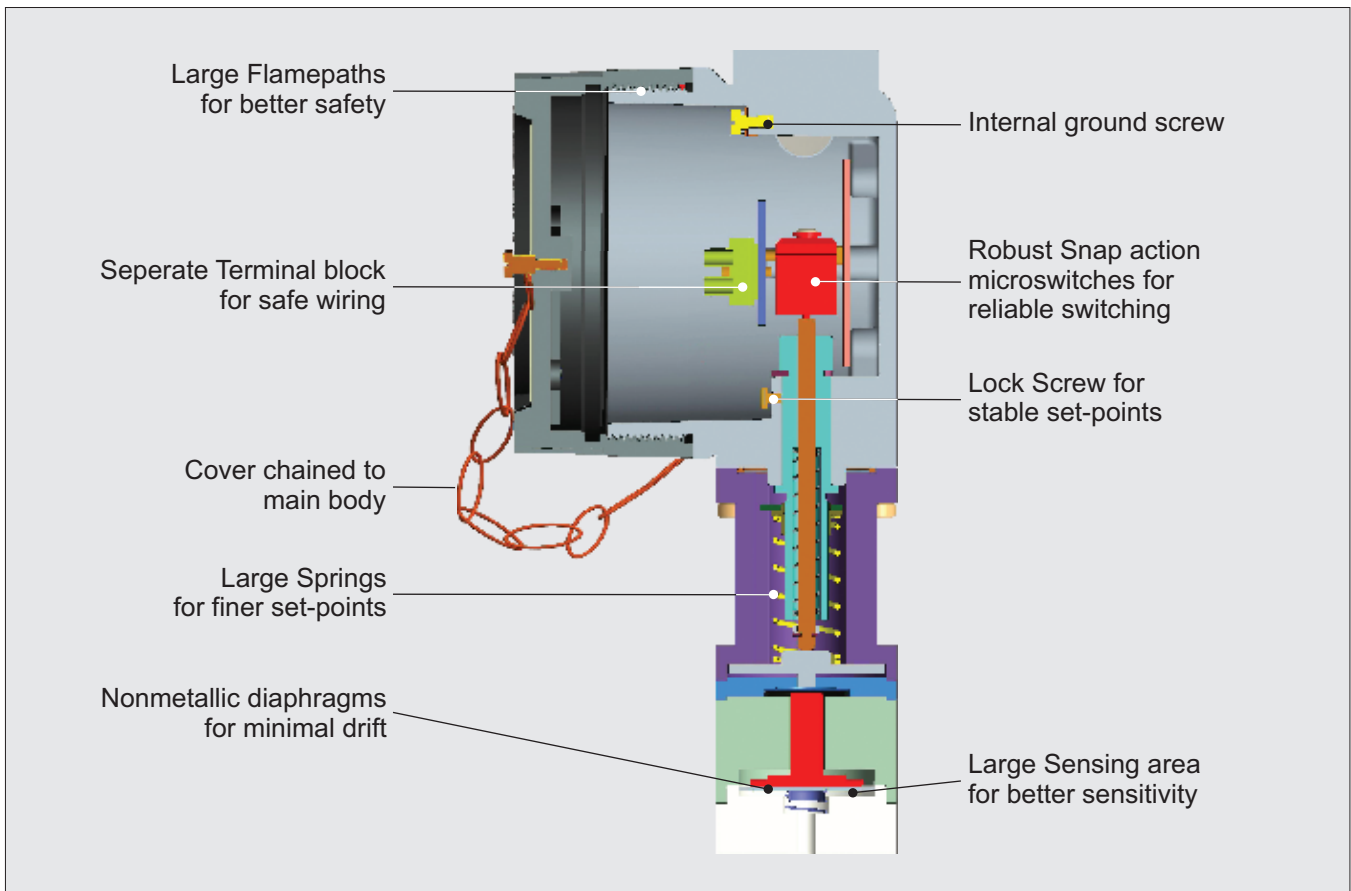


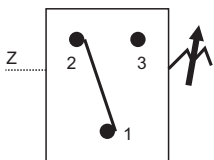
# FC VACUUM SWITCHES



## Approximate Weight :

Vacuum switches with Aluminium enclosure	: 2.03 Kg.
Vacuum switches with Grey CI enclosure	: 4.43 Kg.
Vacuum switches with SS enclosure	: 4.56 Kg.

## Electrical Connection :

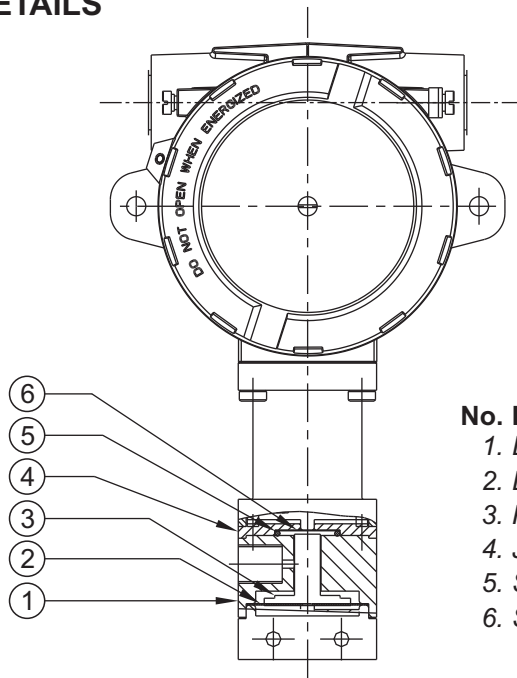


## Some Applications :

Used in filters, vacuum pumps, blower systems, etc.



## PRESSURE CAPSULE DETAILS

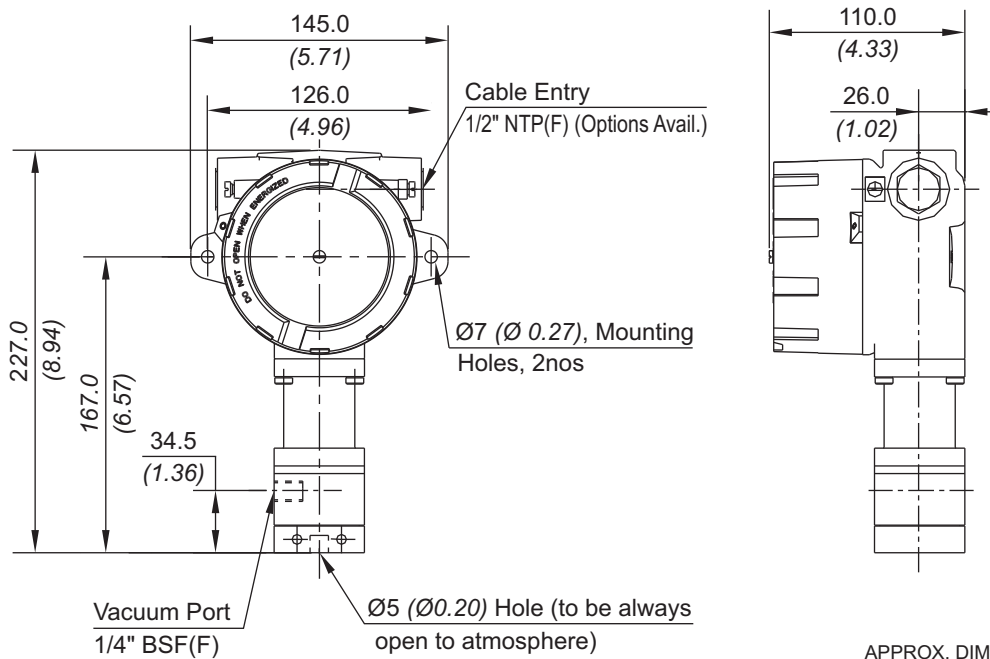


### No. Description

1. *Disc*
2. *Diaphragm*
3. *Plunger (SS316)*
4. *Junction Plate*
5. *Sealing O-Ring (Teflon®)*
6. *Sealing diaphragms (Teflon®)*

Note : *wetted parts* are mentioned in italics.

## INSTALLATION DRAWING



APPROX. DIMENSIONS IN  $\frac{\text{mm}}{\text{inches}}$

# FC VACUUM SWITCHES

## RANGE SELECTION TABLE

Range Code	Range mm Hg ("Hg)	Differential* mm Hg ("Hg)	Maximum Working Pressure bar (psi)
		Approximate Maximum for "A1" microswitch	
V00	† 760 - 100 (29.92 - 3.94)	10 (0.39)	12 (174.05)

\*Minimum differential increases with set point (Graphs available on request)

† Typical values achieved at sea level, total vacuum that can be achieved varies mainly with altitude.

\*Please indicate specifically the differential value in enquiry/order, when it is critical in your application.

## HOW TO ORDER FLAMEPROOF VACUUM RANGE SWITCHES

Group 1	Group 2	Group 3	Group 4	Group 5	Group 6	Group 7	Group 8
Non standard allocation	Gas Group Classification	Cable Entry Size	Switch Type	Range Code (values in mmHg)	Microswitch Type	Pressure Port Material / Size	Diaphragm
<input type="checkbox"/> Reserved for non-standard options not covered in catalogue. Will be given by manufacturer, only after agreement of supply details with customer.	<b>FC</b> = Flameproof pressure switch, ATEX & IECEx approved, with Aluminium head as per IS/IEC 60079-1 for Gas Gr. IIC	<b>1</b> = Al. head 1/2" NPT threads <b>2</b> = Al. head 3/4" NPT threads <b>3</b> = Al. head M20 x 1.5 threads <b>4</b> = Grey CI head 1/2" NPT threads <b>5</b> = Grey CI head 3/4" NPT threads <b>6</b> = Grey CI head M20 x 1.5 threads <b>7</b> = SS head 1/2" NPT threads <b>8</b> = SS head 3/4" NPT threads <b>9</b> = SS head M20 x 1.5 threads	<b>V1</b> = vacuum switch, fixed differential without scale	<b>V00</b> = († 760 - 100)	<b>A1</b> = General purpose microswitch rated at 15A; 250 VAC <b>A2</b> = Hermetically sealed for corrosive environments <b>A3</b> = gold plated contacts for low voltage applications <b>A4</b> = DPDT configuration <b>A5</b> = for high DC ratings <b>A6</b> = elements with adjustable deadband <b>A7</b> = 2SPDT switching elements <b>A9</b> = General purpose microswitch rated at 5A; 250 VAC	<b>S1</b> = SS316 / 1/4" BSP(F) <b>S2</b> = SS316 / 1/4" NPT(F)	<b>0</b> = Neoprene <b>1</b> = Teflon
Please refer page no. 230 for more microswitch options * Please refer note under Range Selection Table						Please refer page no. 226 & 227 for more pressure port options	For additional wetted parts please refer Pressure Capsule Details on Page 67

eg. A flameproof switch for gas group IIC, with 1/2" NPT cable entry in aluminium housing as 1SPDT vacuum switch, having 760 mm Hg to 100 mm Hg vacuum range, with 15Amp. microswitch, SS316 pressure housing with 1/4" BSP port size & neoprene diaphragm shall be specified by

Group 1	Group 2	Group 3	Group 4	Group 5	Group 6	Group 7	Group 8
<input type="checkbox"/>	FC	1	V1	V00	A1	S1	0

Please specify full model number to avoid ambiguity. If only the first two groups are specified while ordering, uncalibrated switches with standard wetted parts and enclosures will be supplied.