

FC/FE

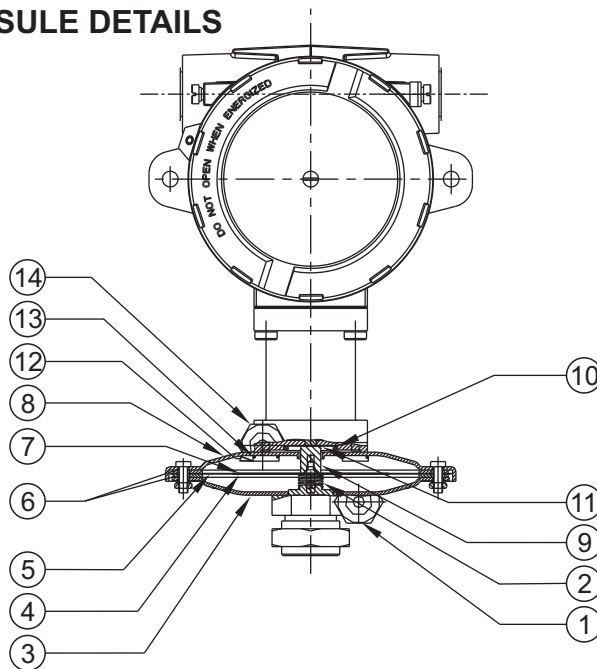
LOW RANGE PRESSURE DIFFERENCE SWITCHES



FC



PRESSURE CAPSULE DETAILS



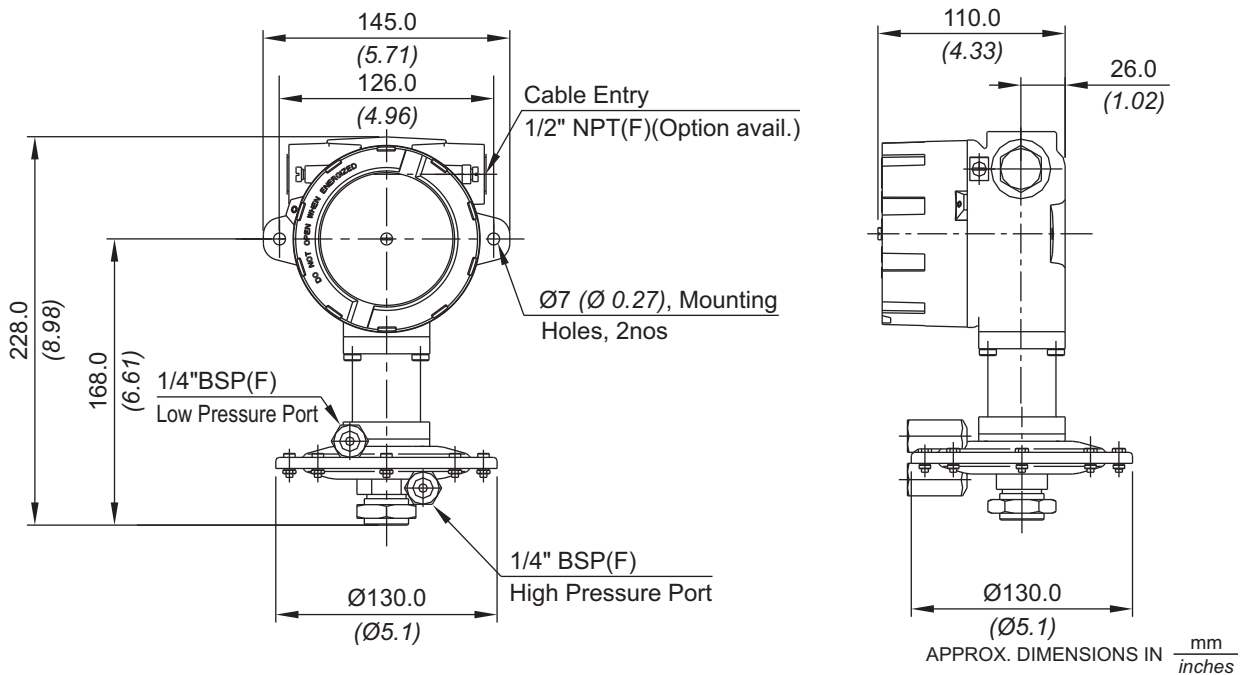
No. Description

1. High pressure port (S.S.)*
2. Support spring (S.S.)
3. Bottom flange (S.S.)
4. Support plate (Aluminium)
5. Diaphragm (Neoprene)
6. Gasket (Nitrile)
7. Top plate (Aluminium)
8. Top flange (M.S.)*
9. Transfer pin (Aluminium)
10. 'O' ring (Nitrile)
11. Sealing diaphragm (Nitrile)
12. Top flange screw (M.S.)
13. Sealing 'O' ring (Nitrile)
14. Low pressure port (M.S.)*

* Pressure ports are brazed with flange

Note : *wetted parts* are mentioned in italics.

INSTALLATION DRAWING



LOW RANGE PRESSURE DIFFERENCE SWITCHES

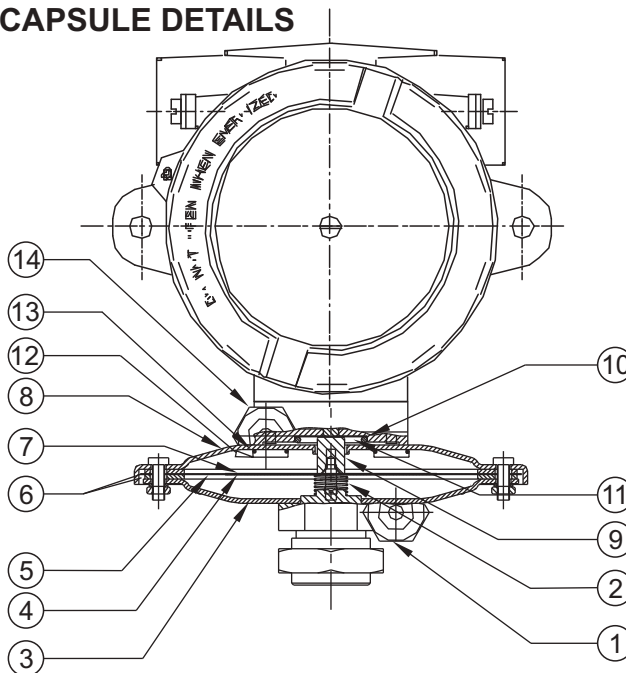
FC/FE



FE



PRESSURE CAPSULE DETAILS



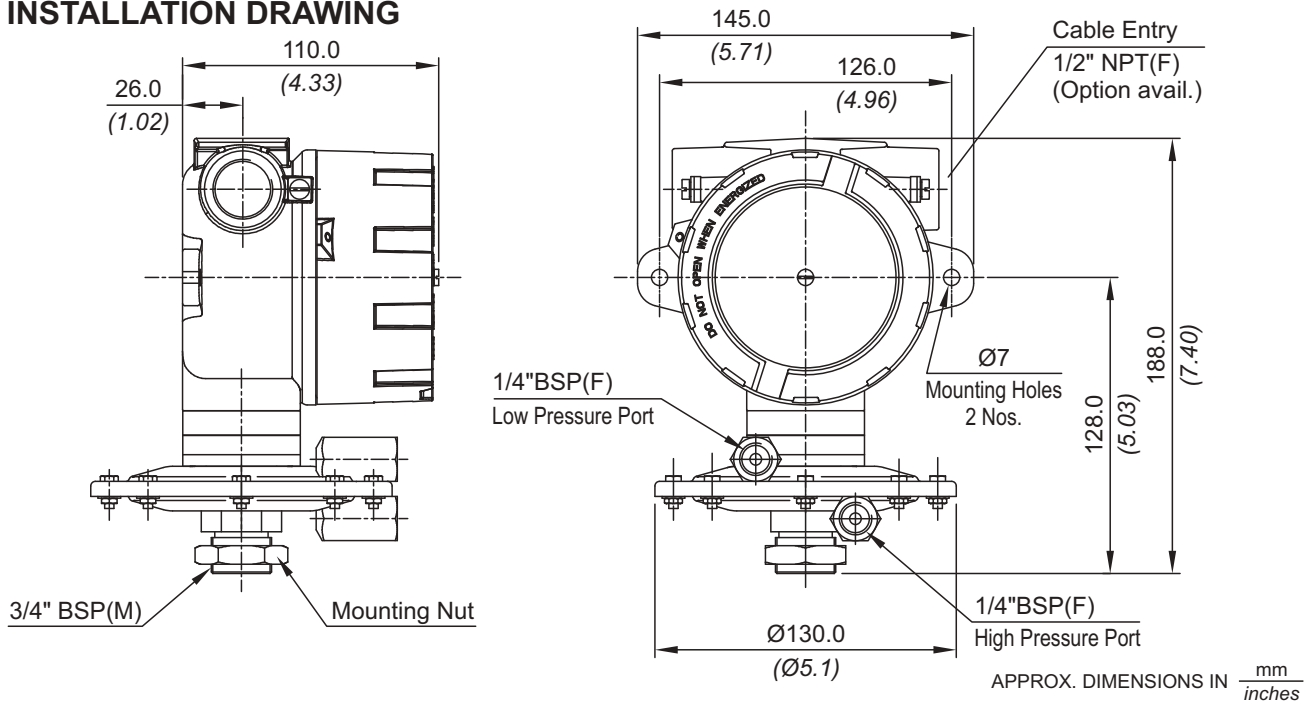
No. Description

1. High pressure port (S.S.)*
2. Support spring (S.S.)
3. Bottom flange (S.S.)
4. Support plate (Aluminium)
5. Diaphragm (Neoprene)
6. Gasket (Nitrile)
7. Top plate (Aluminium)
8. Top flange (M.S.)*
9. Transfer pin (Aluminium)
10. 'O' ring (Nitrile)
11. Sealing diaphragm (Nitrile)
12. Top flange screw (M.S.)
13. Sealing 'O' ring (Nitrile)
14. Low pressure port (M.S.)*

* Pressure ports are brazed with flange

Note : *wetted parts* are mentioned in italics.

INSTALLATION DRAWING



RANGE SELECTION TABLE

Range Code	Range mbar ("wc)	Differential* mbar (" wc)	Maximum Working Pressure bar (psi)
		Approximate Maximum for "A1" microswitch	
L02	1.5 - 15 (0.60 - 6.02)	3 (1.204)	2 (29.00)
L03	5 - 25 (2.007 - 10.037)	5 (2.007)	2 (29.00)
L05	10 - 50 (4.015 - 20.073)	5 (2.007)	2 (29.00)
L10	10 - 100 (4.015 - 40.15)	5 (2.007)	2 (29.00)
L15	10 - 150 (4.015 - 60.22)	5 (2.007)	2 (29.00)
L25	20 - 250 (8.029 - 100.365)	10 (4.015)	2 (29.00)
L35	50 - 350 (20.073 - 140.51)	35 (14.05)	2 (29.00)

*Minimum differential increases with setpoint, values with neoprene diaphragm (Graphs available on request)

* Differentials of microswitches A2 through A9 will vary. Differentials for A7 are typically twice that for A1 microswitch. Please indicate specifically the differential value in enquiry/order, when it is critical in your application.

LOW RANGE PRESSURE DIFFERENCE SWITCHES

FC/FE

HOW TO ORDER FLAMEPROOF LOW RANGE PRESSURE DIFFERENCE SWITCHES

Group 1	Group 2	Group 3	Group 4	Group 5	Group 6	Group 7	Group 8
Non standard allocation	Gas Group Classification	Cable Entry Size	Switch Type	Range Code (values in mbar)	Microswitch Type	Pressure Port Material / Size	Diaphragm
<input type="checkbox"/> Reserved for non-standard options not covered in catalogue. Will be given by manufacturer, only after agreement of supply details with customer.	FC = Flameproof pressure switch, ATEX & IECEx approved, with Aluminium head as per IS/IEC 60079-1 for Gas Gr. IIC FE = IP66 Flameproof pressure switch, KLPL approved	1 = Al. head 1/2" NPT threads 2 = Al. head 3/4" NPT threads 3 = Al. head M20 x 1.5 threads 4 = Grey CI head 1/2" NPT threads 5 = Grey CI head 3/4" NPT threads 6 = Grey CI head M20 x 1.5 threads 7 = SS head 1/2" NPT threads 8 = SS head 3/4" NPT threads 9 = SS head M20 x 1.5 threads	D1 = pressure difference switch, fixed differential without scale D2 = pressure difference switch, fixed differential with scale in mbar D3 = pressure difference switch, fixed differential with scale in "wc	L02 = (1.5 - 15) L03 = (5 - 25) L05 = (10 - 50) L10 = (10 - 100) L15 = (10 - 150) L25 = (20 - 250) L35 = (50 - 350)	A1 = General purpose microswitch rated at 15A; 250 VAC A2 = Hermetically sealed for corrosive environments A3 = gold plated contacts for low voltage applications A4 = DPDT configuration A5 = for high DC ratings A6 = elements with adjustable deadband A7 = 2SPDT switching elements A9 = General purpose microswitch rated at 5A; 250 VAC	S1 = SS316 / 1/4" BSP(F) S2 = SS316 / 1/4" NPT(F)	0 = Neoprene 1 = Teflon
						Please refer Page No. 68 for Pressure Port options	For additional wetted parts please contact Sales Office
						Please refer Page No. 69 for Microswitch options * Please refer note under Range Selection Table	

eg. A flameproof switch for gas group IIC, with 1/2" NPT cable entry in aluminium housing as 1SPDT pressure switch, having 0.1 bar to 1 bar pressure range, with 15Amp. microswitch, SS316 pressure housing with 1/4" BSP port size & neoprene diaphragm shall be specified by

Group 1	Group 2	Group 3	Group 4	Group 5	Group 6	Group 7	Group 8
<input type="checkbox"/>	FC	1	D1	L03	A1	S1	0

Please specify full model number to avoid ambiguity. If only the first two groups are specified while ordering, uncalibrated switches with standard wetted parts and enclosures will be supplied.