

HAZARDOUS AREA THERMOSTAT

REX 011 | 59 °F / 15 °C, 77 °F / 25 °C (T6)

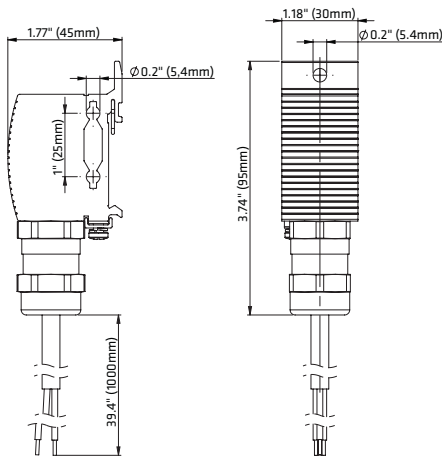


- > For use in hazardous areas
- > High switching capacity
- > Compact Design
- > “Pre-set” temperature
- > Ready-to-use with strain relief
- > Temperature class T6

Compact, small mechanical thermostat offering a high response accuracy, small switching difference, and a very long service life (switching cycles). This thermostat of temperature class T6 (140 °F / 60 °C max.) is utilized for the regulation of heaters deployed in hazardous areas. The high switching performance allows direct control of a heater.



TECHNICAL DATA



Temperature class	T6
Ex Protection type	Ex II 2 GD
Gases	Ex db IIC T6 Gb
Dusts	Ex tb IIIC T85 °C Db IP66
Ambient temperature	-76 to +140 °F (-60 to +60 °C)
Sensor element	thermostatic bimetal
Service life	> 100 000 cycles
Max. switching capacity	10 A ¹ resistive @ AC 250 V, 1 A resistive @ DC 24 V
Min. switching capacity	DC 1.5 V 5 mA
Max. inrush current	AC 16 A for 12 sec.
Connection	silicone cable (halogen-free) 3 x AWG 18 (1.0 mm ²), length 3 ft (1 m)
Connection PE	AWG 18 to 14 (1.0 to 2.5 mm ²)
Mounting	clip for 35 mm DIN rail, EN 60715 screw mounting M5, optional sideways mounting
Housing	aluminum, silver anodized
Dimensions	3.7 x 1.8 x 1.9" (95 x 45 x 30 mm)
Weight	approx. 0.66 lbs (0.3 kg)
Mounting position	variable
Storage temperature	-76 to +185 °F (-60 to +85 °C)
Operating / Storage humidity	max. 90 % RH (non-condensing)
Protection type / Protection class	IP66 / I (grounded)
Approvals	EPS 16 ATEX 1 118 X IECEX EPS 16.0054X EAC

¹ currents above 4 A affect the switching difference

Part No.	Contact type (1-pole)	Switch temperature	Switching difference (Hysteresis)
01185.0-00	Normally Closed (NC)	59 °F / 15 °C (± 5 °F / 3 K tolerance)	9 °F ± 5 °F tolerance (5 K ± 3 K)
01185.1-00	Normally Closed (NC)	77 °F / 25 °C (± 5 °F / 3 K tolerance)	9 °F ± 5 °F tolerance (5 K ± 3 K)