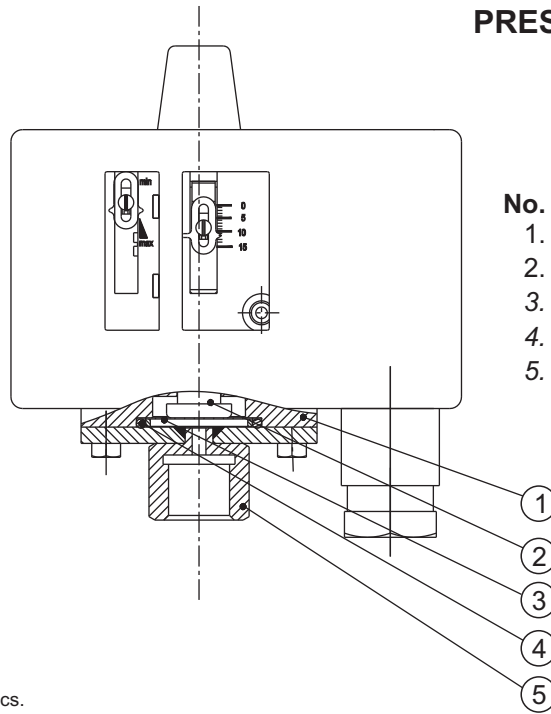


EZ / EX OEM HIGH RANGE PRESSURE SWITCHES



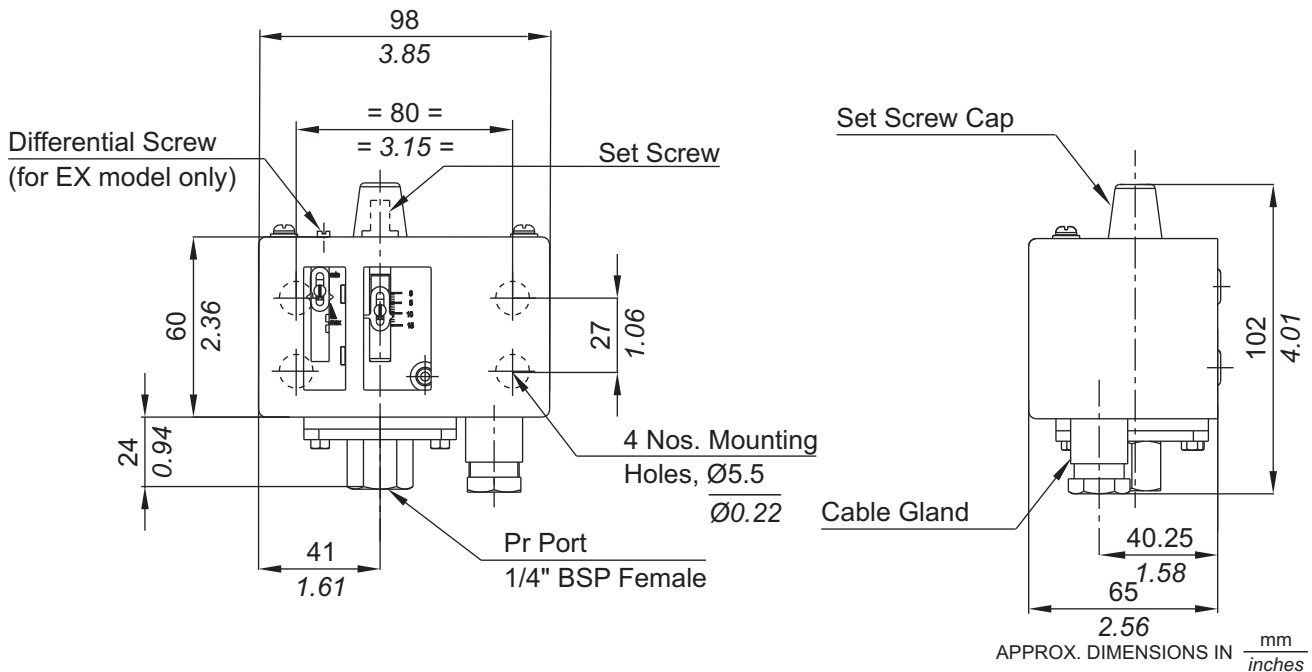
PRESSURE CAPSULE DETAILS



- No. Description**
1. Disc
 2. Plunger
 3. Diaphragm (Teflon)
 4. O ring (Teflon)
 5. Pressure Housing (SS 316)

Note : *wetted parts* are mentioned in italics.

INSTALLATION DRAWING



OEM HIGH RANGE PRESSURE SWITCHES **EZ / EX**

General information:

EZ /EX series pressure switches are housed in pressed steel powder coated enclosure and are recommended for panel mounting or indoor service. The repeat accuracy is better than $\pm 1.5\%$ FSR. A 3/8" cable entry is provided for cables and a terminal strip suitable for wired ends is provided inside the enclosure. Pressure port is 1/4" BSPF standard.

Features:

- Compact
- SS316 & Teflon as standard wetted parts
- Electrical rating : 5A, 250 VAC; 0.2A, 250VDC (res.)
- Pressure port: 1/4" BSPF

Range Selection Table

Model Code	† Range bar (psi)	*Approximate Maximum Differential bar (psi)	* Adjustable Differential bar (psi)	Maximum Working Pressure bar (psi)
EZ4	0.2 - 3.6 (2.90 - 52.21)	0.20 (2.90)	-	12 (174.05)
EZ7	0.5 - 7.0 (7.25 - 101.52)	0.40 (5.80)	-	12 (174.05)
EZ15	1.0 - 15.0 (14.50 - 217.71)	0.60 (8.70)	-	25 (362.6)
EZ30	5.0 - 25.0 (72.52 - 362.6)	1.00 (14.50)	-	35 (507.63)
EX7	0.5 - 7.0 (7.25 - 101.52)	-	0.8 - 6.0 (11.60 - 87.02)	12 (174.05)
EX15	1.0 - 15.0 (14.50 - 217.71)	-	1.5 - 10.0 (21.76 - 145.04)	25 (362.6)
EX30	5.0 - 25.0 (72.52 - 362.6)	-	2.5 - 10.0 (36.26 - 145.04)	35 (507.63)

*Minimum differential increases with setpoint (Graphs available on request)

† rising pressure for EZ series; falling pressure for EX series

HOW TO ORDER EZ/EX OEM HIGH RANGE PRESSURE SWITCHES

Please specify model code as per range selection table above.