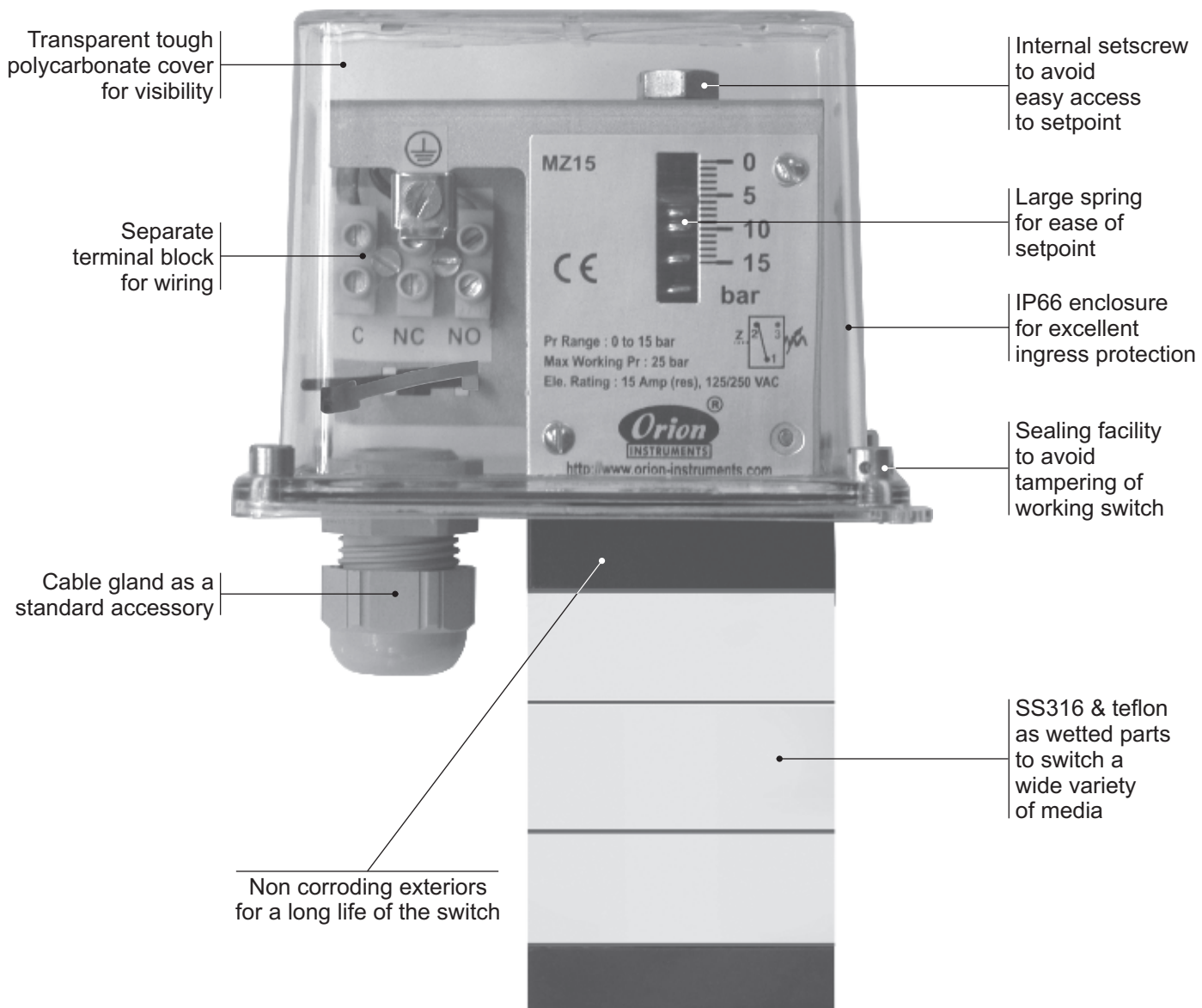


MZ HIGH RANGE DP

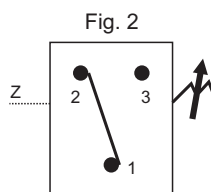


Approximate Weight : 1.800 Kg.

Some Applications :

Applications requiring high static/system pressure but low pressure difference.

Electrical Connection :

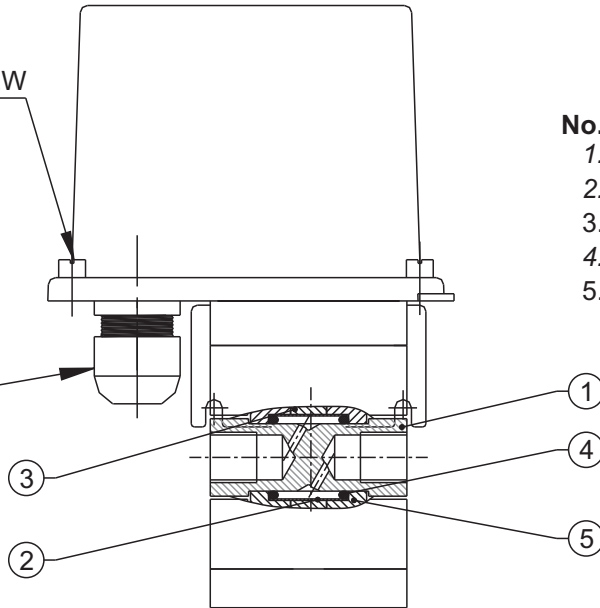




PRESSURE CAPSULE DETAILS

COVER LOCKING SCREW
4NOS.

CABLE ENTRY



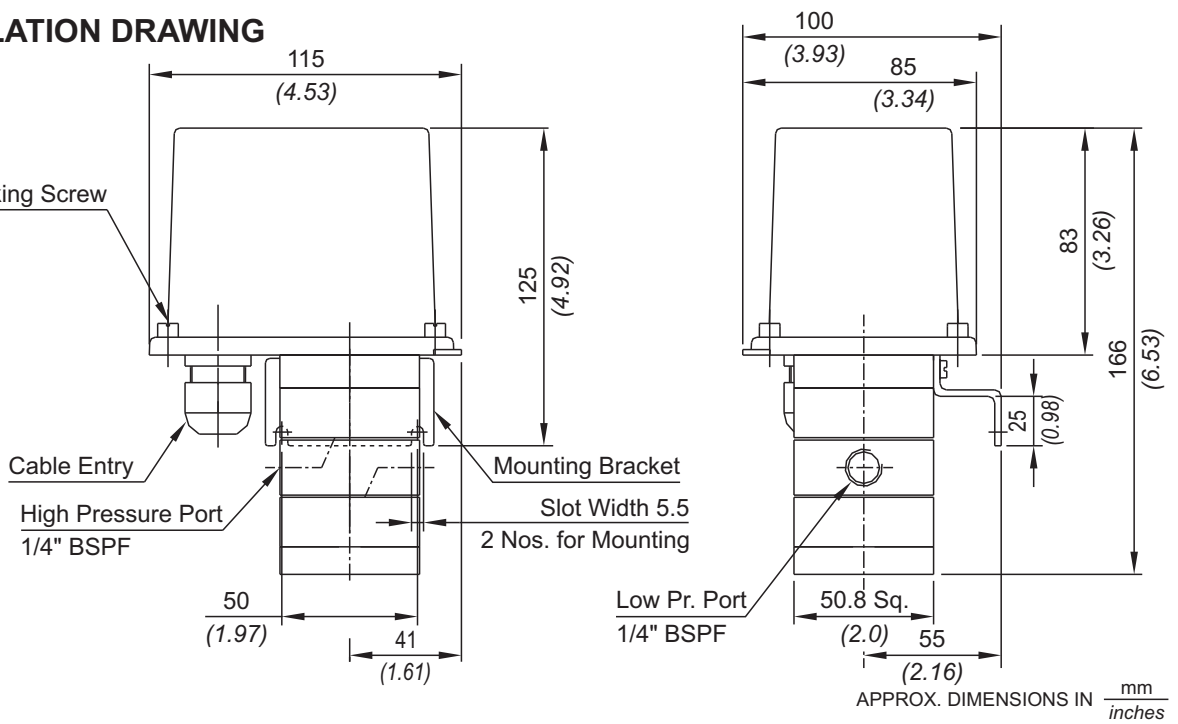
No. Description

1. Pressure Housing
2. Diaphragm
3. Plunger
4. 'O' ring
5. Disc

Note : *wetted parts* are mentioned in italics.

INSTALLATION DRAWING

Cover Locking Screw
4 Nos.



MZ HIGH RANGE DP

RANGE SELECTION TABLE

Range Code	Range bar (psi)	Differential* bar (psi)	Maximum Working Pressure bar (psi)
		Approximate Maximum for "A8" microswitch	
D01	0.1 - 1.0 (1.45 - 14.50)	0.12 (0.30)	70 (1000.00)
D02	0.1 - 1.5 (1.45 - 21.76)	0.20 (1.14)	70 (1000.00)
D03	0.2 - 2.6 (2.90 - 37.71)	0.20 (1.14)	70 (1000.00)
D04	0.2 - 3.6 (2.90 - 52.21)	0.30 (1.43)	70 (1000.00)
D07	0.5 - 7.0 (7.25 - 101.50)	0.40 (5.72)	70 (1000.00)
D10	0.5 - 10.0 (7.14 - 142.86)	0.50 (7.14)	70 (1000.00)
D15	1.0 - 15.0 (14.29 - 214.29)	0.50 (7.14)	70 (1000.00)
D30	5.0 - 25.0 (71.43 - 357.14)	0.80 (11.44)	70 (1000.00)

*Minimum differential increases with setpoint (Graphs available on request)

*** Note :**

Microswitches A2 through A9 can be supplied in some ranges and differentials will vary with microswitch used. Please contact sales office for details. Please check availability of adjustable differential with sales office.

HOW TO ORDER PROCESS HIGH RANGE DP SWITCHES

Group 1	Group 2	Group 3	Group 4	Group 5	Group 6	Group 7	Group 8
Non standard allocation	Model	Cable Entry Size	Switch Type	Range Code (values in bar)	Microswitch Type	Pressure Port Material / Size	Diaphragm
<input type="checkbox"/> Reserved for non-standard options not covered in catalogue. Will be given by manufacturer, only after agreement of supply details with customer.	MZ = Process pressure switch with tough transparent polycarbonate enclosure to IP66 as per IS2147	3 = M20 X 1.5 cable gland	DF2 = pressure difference switch, fixed differential with scale in bar DF3 = pressure difference switch, fixed differential with scale in psi *DA2 = pressure difference switch, adjustable differential with scale in bar *DA3 = pressure difference switch, adjustable differential with scale in psi <small>* Available only with option A9 in Group 6</small>	D01 = (0.1 - 1.0) D02 = (0.1 - 1.5) D03 = (0.2 - 2.6) D04 = (0.2 - 3.6) D07 = (0.5 - 7.0) D10 = (0.5 - 10.0) D15 = (1.0 - 15.0) D30 = (5.0 - 25.0)	A8 = General purpose microswitch rated at 5 A; 250 VAC A7 = 2SPDT microswitches A9 = General purpose microswitch rated @ 5A, 250 VAC <small>* Please refer note under Range Selection Table</small>	S1 = SS316 / 1/4" BSP(F) S2 = SS316 / 1/4" NPT(F) N1 = Monel / 1/4" BSP(F) N2 = Monel / 1/4" NPT(F)	0 = Neoprene 1 = Teflon 2 = SS316L 4 = Monel

eg. A process pressure difference switch with fixed differential having 0.1 bar to 1 bar pressure range, with 5 Amp. microswitch, SS316 pressure housing with 1/4" BSP port size & neoprene diaphragm shall be specified by

Group 1	Group 2	Group 3	Group 4	Group 5	Group 6	Group 7	Group 8
<input type="checkbox"/>	MZ	3	DF2	D01	A8	S1	0

Please specify full model number to avoid ambiguity.