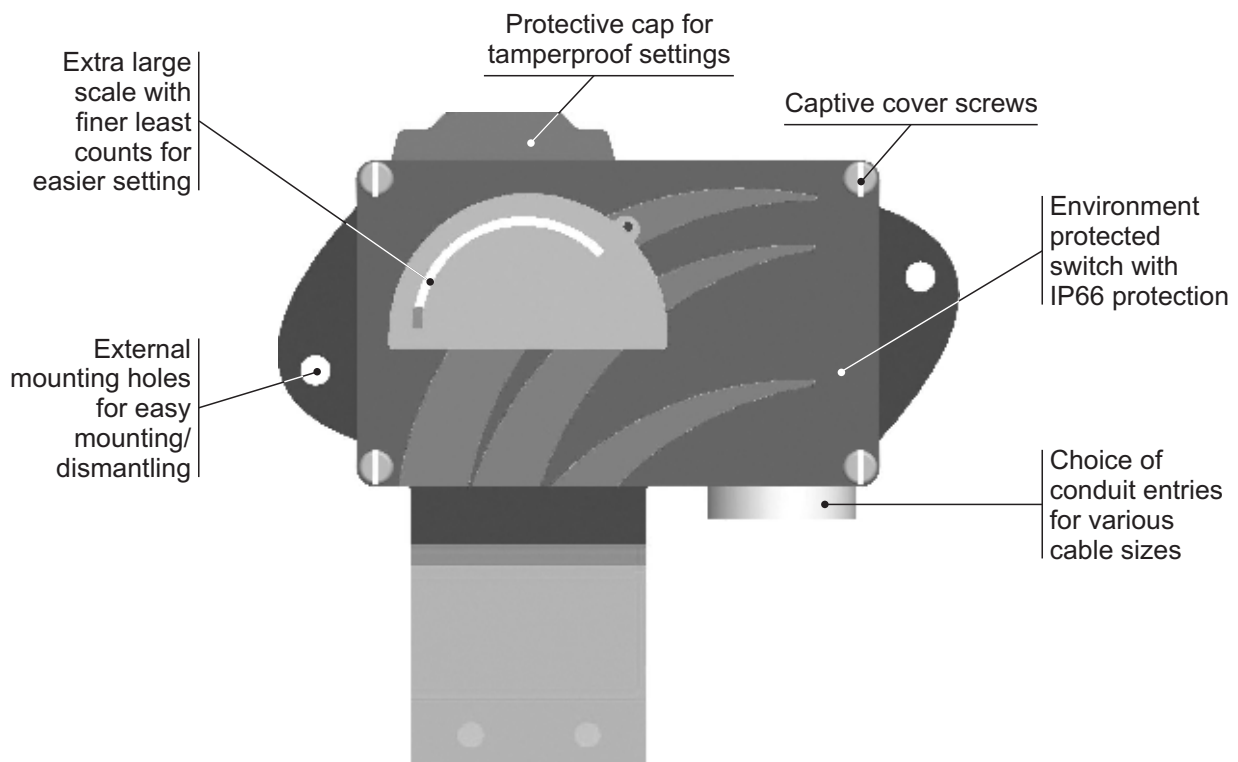
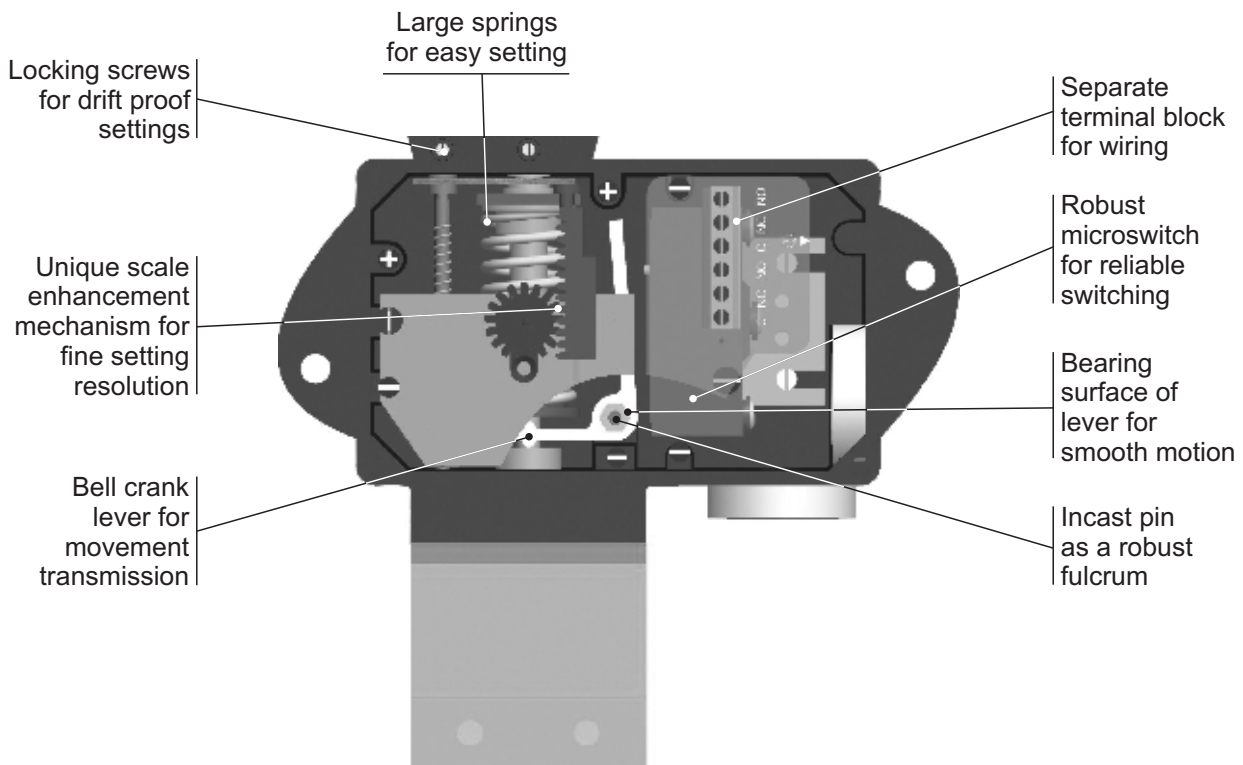


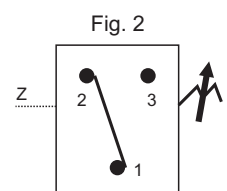
# MD HIGH RANGE PRESSURE DIFFERENCE SWITCHES



**Approximate Weight :** 1.500 Kg.

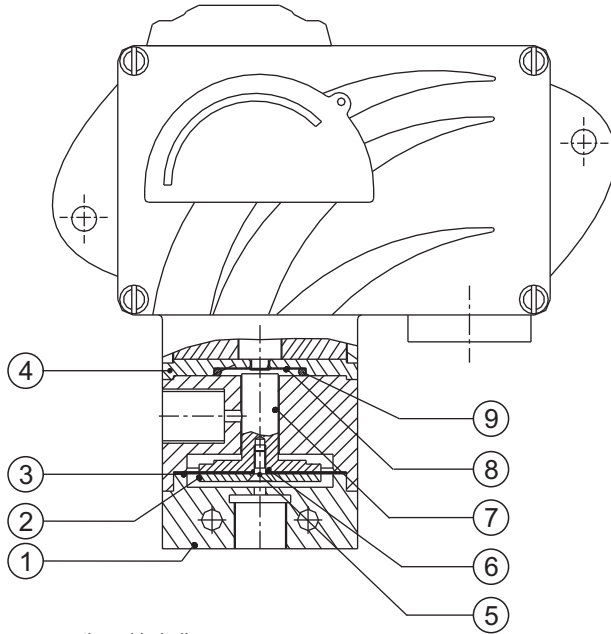
**Some Applications :** In non-hazardous areas for filters, strainers, cooling systems, etc.

**Electrical Connection :**





## PRESSURE CAPSULE DETAILS

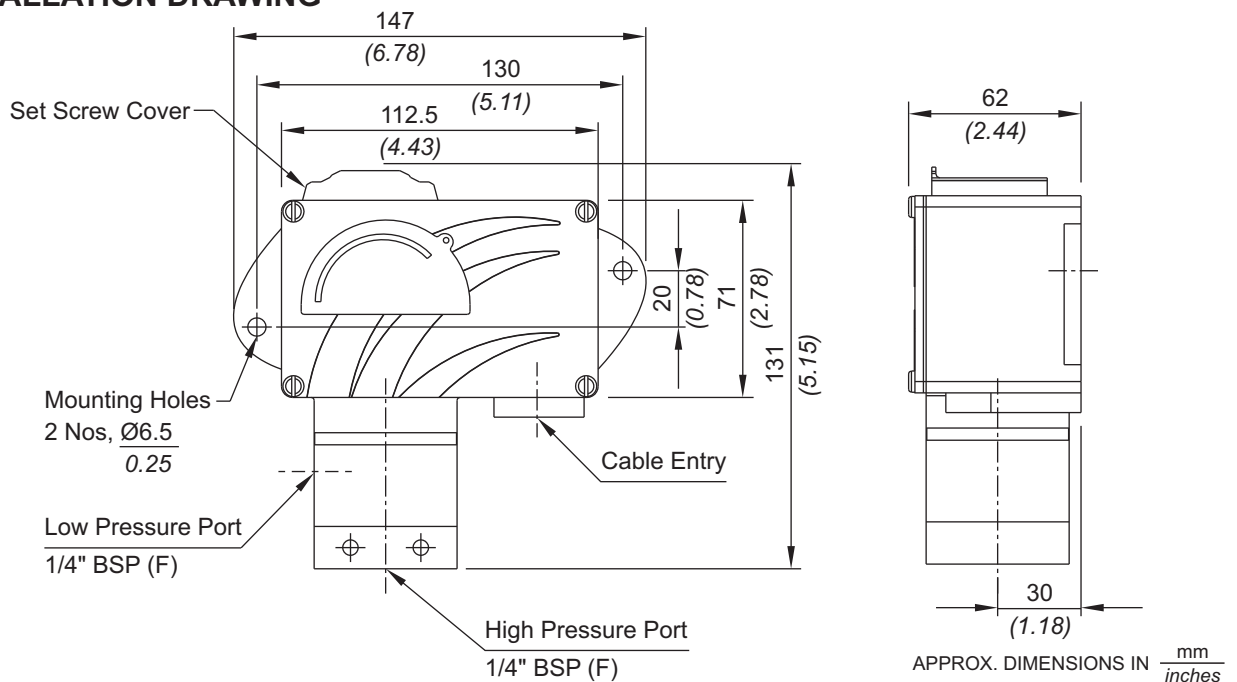


### No. Description

1. Pressure Housing
2. HP Plunger
3. Diaphragm
4. Disc
5. CSK Screw (SS)
6. O-Ring (Teflon®)
7. LP Plunger (SS316)
8. Sealing Diaphragm (Teflon®)
9. Sealing O-Ring (Teflon®)

Note : *wetted parts* are mentioned in italics.

## INSTALLATION DRAWING



# MD HIGH RANGE PRESSURE DIFFERENCE SWITCHES

## RANGE SELECTION TABLE

Range Code	Range bar (psi)	Differential* bar (psi)	Maximum Working Pressure bar (psi)
		Approximate Maximum for "A1" microswitch	
H01	0.1 - 1.0 (1.45 - 14.50)	0.12 (1.74)	12 (174.05)
H02	0.1 - 1.5 (1.45 - 21.76)	0.20 (2.90)	12 (174.05)
H03	0.2 - 2.6 (2.90 - 37.71)	0.20 (2.90)	12 (174.05)
H04	0.2 - 3.6 (2.90 - 52.21)	0.30 (4.35)	12 (174.05)

\*Minimum differential increases with setpoint (Graphs available on request)

**\* Note :**

Microswitches A2 through A9 can be supplied in some ranges and differentials will vary with microswitch used. Please contact sales office for details. Please check availability of adjustable differential with sales office.

# HIGH RANGE PRESSURE DIFFERENCE SWITCHES

# MD

## HOW TO ORDER INDUSTRIAL HIGH RANGE PRESSURE DIFFERENCE SWITCHES

Group 1	Group 2	Group 3	Group 4	Group 5	Group 6	Group 7	Group 8
Non standard allocation	Model	Cable Entry Size	Switch Type	Range Code (values in bar)	Microswitch Type	Pressure Port Material / Size	Diaphragm
<input type="checkbox"/> Reserved for non-standard options not covered in catalogue. Will be given by manufacturer, only after agreement of supply details with customer.	<b>MD</b> = Industrial pressure switch with diecast Aluminium enclosure to IP66 as per IS2147	<b>1</b> = 1/2" NPT threads <b>2</b> = 3/4" NPT threads <b>3</b> = M20 X 1.5 threads	<b>DF1</b> = pressure difference switch, fixed differential without scale <b>DF2</b> = pressure difference switch, fixed differential with scale in bar <b>DF3</b> = pressure difference switch, fixed differential with scale in psi <b>DA1</b> = pressure difference switch, adjustable differential without scale <b>DA2</b> = pressure difference switch, adjustable differential with scale in bar <b>DA3</b> = pressure difference switch, adjustable differential with scale in psi *Available with A9 (in group 6) only	<b>H01</b> = (0.1 - 1.0) <b>H02</b> = (0.1 - 1.5) <b>H03</b> = (0.2 - 2.6) <b>H04</b> = (0.2 - 3.6)	<b>A1</b> = General purpose microswitch rated at 15 A; 250 VAC <b>A2</b> = Hermetically sealed for corrosive environments <b>A3</b> = gold plated contacts for low voltage applications <b>A4</b> = DPDT configuration <b>A5</b> = for high DC ratings <b>A7</b> = 2SPDT switching elements  Please refer page no. 230 for more microswitch options * Please refer note under Range Selection Table	<b>A1</b> = Aluminium / 1/4" BSP(F) <b>A2</b> = Aluminium / 1/4" NPT(F) <b>S1</b> = SS316 / 1/4" BSP(F) <b>S2</b> = SS316 / 1/4" NPT(F)	<b>0</b> = Neoprene <b>1</b> = Teflon

eg. A high range pressure difference weatherproof switch, with 1/2" NPT cable entry in aluminium housing as 1SPDT pressure switch, fixed differential without scale, having 0.1 bar to 1 bar pressure range, with 15Amp. microswitch, SS316 pressure housing with 1/4" BSP port size & neoprene diaphragm shall be specified by

Group 1	Group 2	Group 3	Group 4	Group 5	Group 6	Group 7	Group 8
<input type="checkbox"/>	MD	1	DF1	H01	A1	S1	0

Please specify full model number to avoid ambiguity.