

# MBC 5100 block-type compact pressure switches



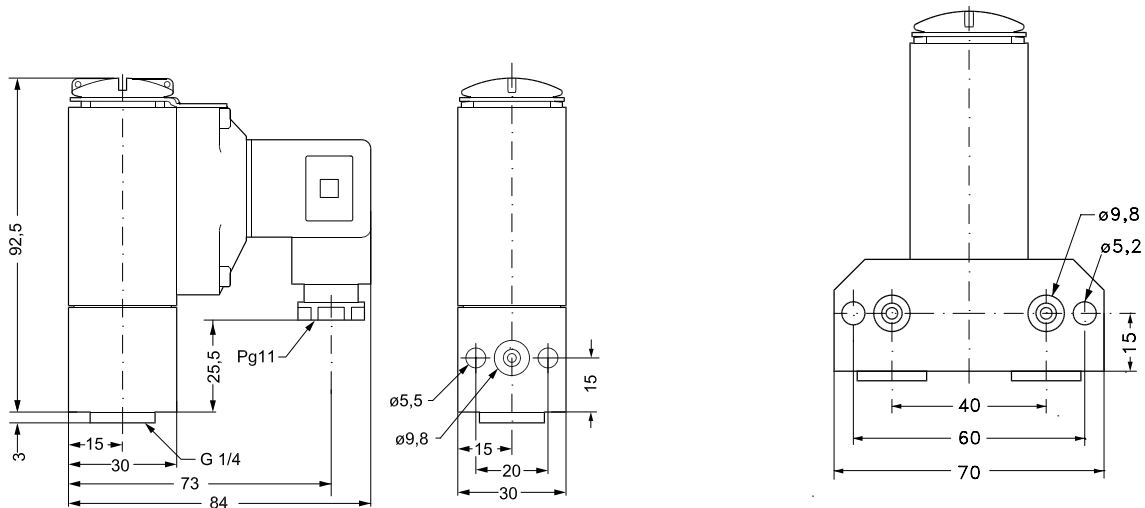
MBC pressure switches are used in industry and marine applications where space and reliability are the most important features. MBCs are compact pressure switches, designed according to our new block design to survive in the harsh conditions known from machine rooms onboard ships.

MBCs have high vibration resistance and feature all commonly marine approvals. The fixed, but low differential guarantees accurate monitoring of critical pressures. MBV test valves can be delivered as standard option for MBC pressure switches.

- All relevant marine approvals
- Pressure range: -0.2 – 400 bar
- Low differential (fixed) micro switch
- Resistant to shock and vibrations
- Enclosure IP65
- Diaphragm version for applications with pulsations/pressure peaks
- Compact design
- Low installations costs
- Fast and easy to operate
- Easy to mount on block test valve
- Available as differential pressure switch

## Dimensions and weight:

Weight: 0.4 kg.



All dimensions in millimetres

Approvals: CE marked in accordance with EN60947-5. All relevant marine approvals

## MBC 5100 block-type compact pressure switches

Contact function: Single pole double throw (SPDT)

Contact material: Silver

Loads: AC-15 (inductive) 0.5A, 250V

Plug Pg 11. Other electrical connections available on request



Setting range $P_e$ [bar]	Differential at min. range setting [bar]	Differential at max. range setting [bar]	Max. working pressure $P_e$ [bar]	Connection		Code number
				G ¼ A	Flange	
<b>Low pressure bellows. Ambient temperature: -40 – 85 °C. Media temperature: -40 – 85 °C</b>						
-0.2 – 1	0.15	0.45	15	✓	✓	<b>061B000566</b>
-0.2 – 4	0.15	0.45	15	✓	✓	<b>061B000466</b>
-0.2 – 4	0.15	0.45	15	✓		<b>061B001066</b>
-0.2 – 10	0.15	0.6	15	✓	✓	<b>061B000266</b>
<b>Low pressure diaphragm. Ambient temperature: -10 – 85 °C. Media temperature: -10 – 85 °C</b>						
1 – 10	0.30	2.5	150	✓	✓	<b>061B100466</b>
1 – 10	0.30	2.5	150	✓		<b>061B100866</b>
5 – 20	0.4	2.5	150	✓	✓	<b>061B100266</b>
<b>High pressure diaphragm. Ambient temperature: -10 – 85 °C. Media temperature: -10 – 85 °C</b>						
5 – 40	1.0	7	150	✓	✓	<b>061B100566</b>
10 – 100	1.7	14	150	✓	✓	<b>061B100366</b>
<b>High pressure piston. Ambient temperature: -40 – 85 °C. Media temperature: -40 – 85 °C</b>						
16 – 160	12	30	600	✓		<b>061B510066</b>
25 – 250	12	40	600	✓		<b>061B510166</b>
40 – 400	15	50	600	✓		<b>061B510266</b>



## MBC 5180 block-type differential pressure switch

Setting range $P_e$ [bar]	Operating range LP side $P_e$ [bar]	Max. working pressure $P_e$ [bar]	Connection		Code number
			G ¼ A	G ¼ A w. flange	
<b>Ambient temperature: -10 – 85 °C. Media temperature: -10 – 85 °C</b>					
0.3 – 5	0 – 30	45		✓	<b>061B128066</b>
0.3 – 5	0 – 30	45	✓		<b>061B129066</b>

## Spareparts for MBC5100

Type	Description	Code number
Pulse-snobber	Male, G ¼ A, length 20 mm	<b>061B400101</b>
Pulse-snobber	Male, G ¼ A, length 34 mm	<b>061B400201</b>
Pulse-snobber	For flange connection	<b>061B722101</b>

