

features

- Inferential Type Dry Dial, Multi Jet, Magnetic Transmission.
- Straight Reading Cyclometer Type register for the most comfortable reading position of 7 rollers & 2 pointers.
- Only one moving part - the impeller - in contact with the water for minimum wear & utmost reliability.
- All the materials in contact with water, consciously selected by the known resistance to corrosion.
- Wide Range of products 15mm to 50mm.

Standards
IS 779:1994
ISO 4064:1993



IS 779:1994
CLASS-B
CM/L-1298460

Applications



Domestic, Agriculture and Industrial use.

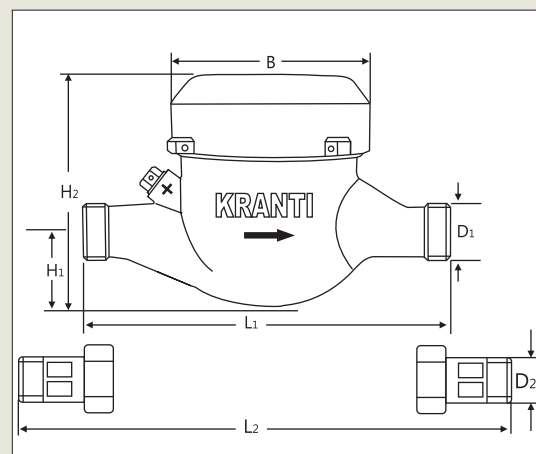
KRANTI Class-B is impeller (Turbine) Multi Jet Water meter with magnetic transmission. After entering the meter, the water flow is split into several smaller flows by the vane wheel case, that are going to hit the turbine simultaneously in various points keeping it perfectly balanced.

PERFORMANCE DATA

Nominal Sizes	Metero-logical	Q _{max} Minimum Flow Rate (m ³ /h)	Q _n Nominal Flow Rate (m ³ /h)	Q _t Transitional Flow Rate (L/h)	Q _{min} Minimum Flow Rate (L/h)	Maximum Register Capacity (m ³)	Minimum Register Capacity (L)	Accuracy Between Q _{max} & Q _t	Accuracy Between Q _t & Q _{min}
15 mm / 1/2"	Class-B	3	1.5	120	30	99999.9999	0.05	± 2%	± 5%
20 mm / 3/4"	Class-B	5	2.5	200	50	99999.9999	0.05		
25 mm / 1"	Class-B	7	3.5	280	70	99999.9999	0.05		
40 mm / 1 1/2"	Class-B	20	10	800	200	99999.9999	0.05		
50 mm / 2"	Class-B	30	15	1200	300	99999.9999	0.05		

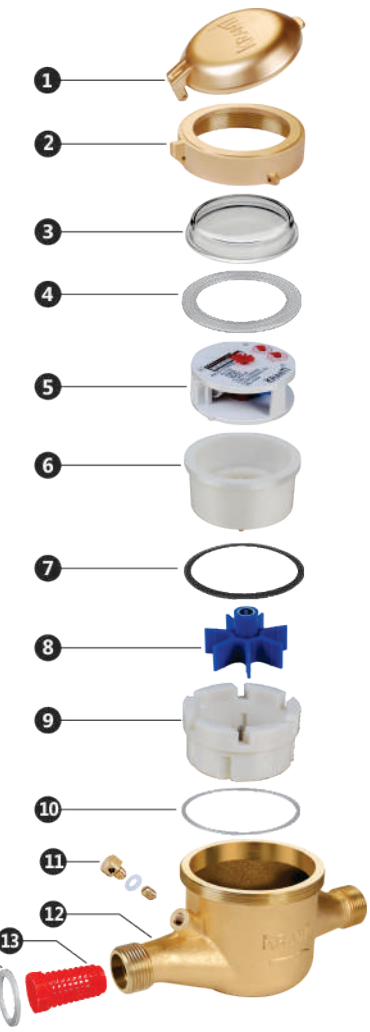
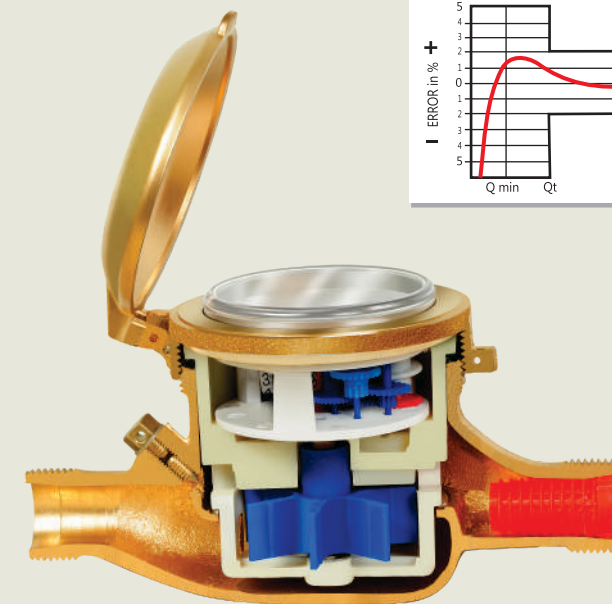
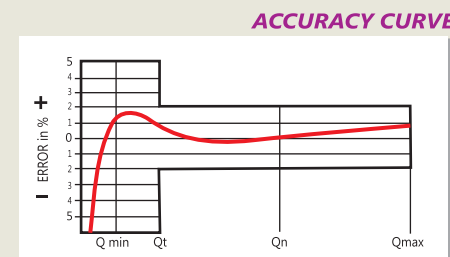
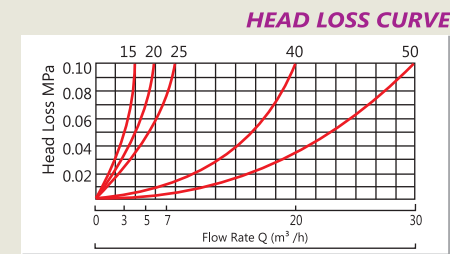
DIMENSIONS

Model	KBM-G	KBM-G	KBM-G	KBM-G	KBM-G
Nominal Size (mm)	15	20	25	40	50
(Inches)	1/2	3/4	1	1 1/2	2
D1 - Meter Connection Thread ISO 228/1	G3/4 B	G1 B	G1 1/4 B	G2 B	G2 1/2 B
D2- Meter Connection Pipe ISO 7/1	R 1/2	R 3/4	R1	R1 1/2	R2
L1 - Length without Couplings (mm)	165	190	260	300	330
L2 - Length with Couplings (mm)	250	290	380	430	470
B - Width (mm) (Max.)	100	130	170	210	270
H1 - Centerline Height (Max.)	50	60	65	75	115
H2 - Overall Height (Max.)	180	240	260	300	300



Working Conditions :

- ▶ Water Temperature ≤ 50°C
- ▶ Water Pressure ≤ 1MPa
- ▶ Pressure Loss ΔP < 0.1MPa at Q_{max}
ΔP < 0.025MPa at Q_n
- ▶ Maximum Pressure-16 Bar



Dry Dial WATER METER