

Check on every drop

Features

- Inferential Type Dry Dial Mechanical Driven, Non Magnetic Drive.
- Straight Reading Cyclometer Type, 7-inline consecutive Digits with one central pointer for easy reading.
- Innovative Design with Wiper for Clear Reading.
- Wide Range of products 15mm to 50mm.

Applications



Domestic, Agriculture and Industrial use.



Standards
IS 779:1994



IS 779:1994
CLASS-A
CM/L-1298460

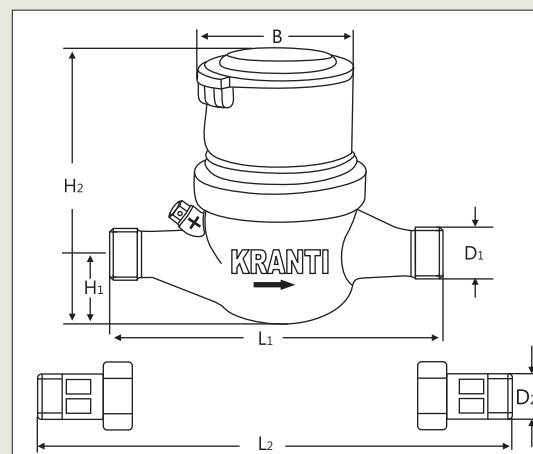
Water meters using the multi-jet principle are the best cost/performance, long life, flow measurement instruments.

PERFORMANCE DATA

Nominal Sizes	Metero-logical	Q _{max} Minimum Flow Rate (m ³ /h)	Q _n Nominal Flow Rate (m ³ /h)	Q _t Transitional Flow Rate (L/h)	Q _{min} Minimum Flow Rate (L/h)	Maximum Register Capacity (m ³)	Minimum Register Capacity (L)	Accuracy Between Q _{max} & Q _t	Accuracy Between Q _t & Q _{min}
15 1/2"	Class-A	3	1.5	150	60	99999.999	0.1	± 2%	± 5%
20 3/4"	Class-A	5	2.5	250	100	99999.999	0.1		
25 1"	Class-A	7	3.5	350	140	99999.999	0.1		
40 1 1/2"	Class-A	20	10	1000	400	99999.999	0.1		
50 2"	Class-A	30	15	1500	600	99999.999	0.1		

DIMENSIONS

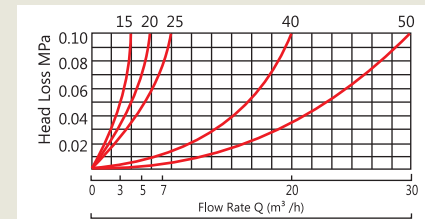
Model	KAM-G	KAM-G	KAM-G	KAM-G	KAM-G
Nominal Size (mm)	15	20	25	40	50
(Inches)	1/2	3/4	1	1 1/2	2
D1 - Meter Connection Thread ISO 228/1	G3/4 B	G1 B	G1 1/4 B	G2 B	G2 1/2 B
D2 - Meter Connection Pipe ISO 7/1	R 1/2	R 3/4	R1	R1 1/2	R2
L1 - Length without Couplings (mm)	165	190	260	300	330
L2 - Length with Couplings (mm)	250	290	380	430	470
B - Width (mm) (Max.)	100	130	170	210	270
H1 - Centerline Height (Max.)	50	60	65	75	115
H2 - Overall Height (Max.)	180	240	260	300	300



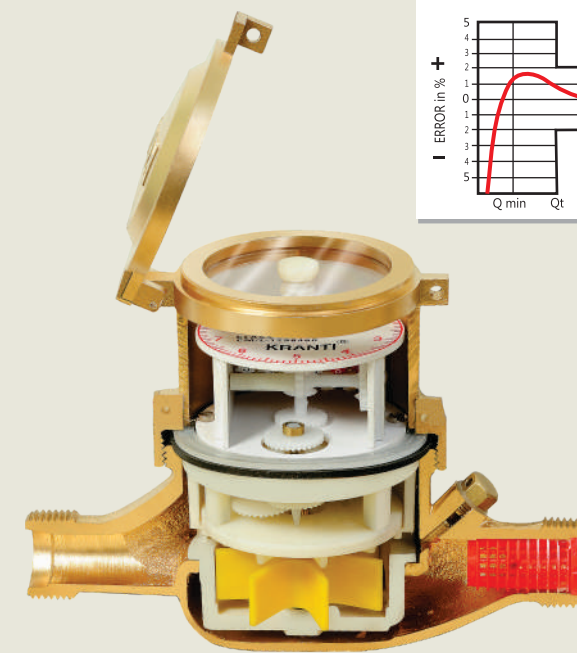
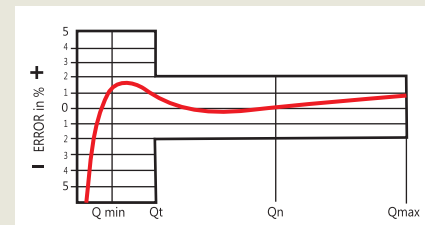
Working Conditions :

- ▶ Water Temperature ≤ 50°C
- ▶ Water Pressure ≤ 1MPa
- ▶ Pressure Loss $\Delta P < 0.1 \text{MPa}$ at Q_{max}
 $\Delta P < 0.025 \text{MPa}$ at Q_n
- ▶ Maximum Pressure-16 Bar

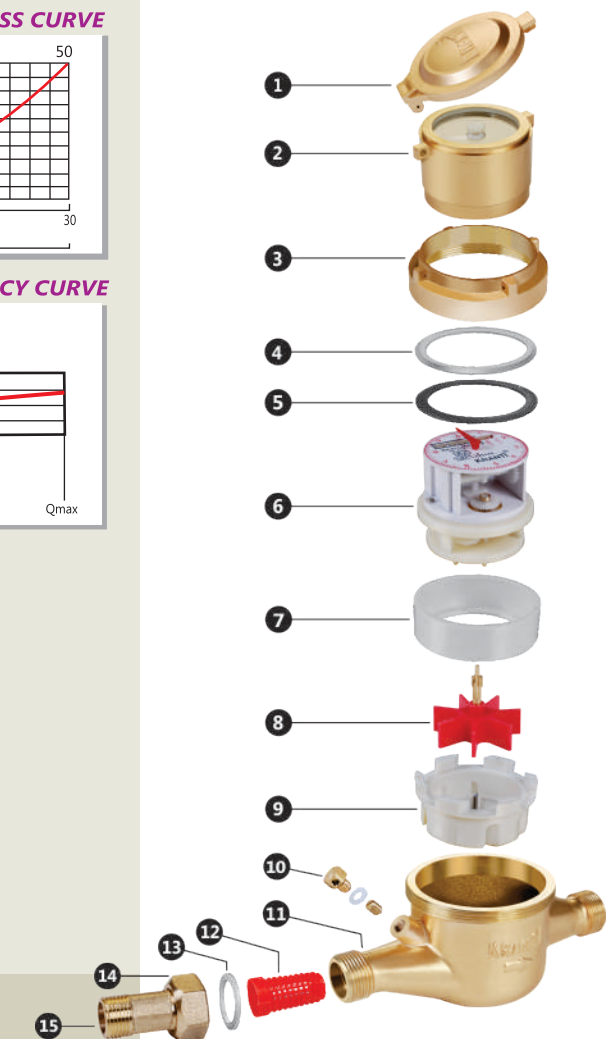
HEAD LOSS CURVE



ACCURACY CURVE



Dry Dial WATER METER



KAM-G