

KRANTI **KHO**
Multi Jet Dry Dial
WATER METER HOT WATER METER

Check on every drop

Rite **RITE**
Multi Jet Dry Dial

Check on every drop

features

- Inferential Type Dry Dial Mechanical Driven.
- Circular Multipointer Pattern type register with all pointers reading clockwise.
- Innovative Design with Wiper for Clear Reading.
- All the materials in contact with Hot water, consciously selected by the known resistance to corrosion.
- Suitable for **HOT WATER** with maximum temperature 90°.
- Wide Range of products 15mm to 50mm.

Standards
as per
IS 779:1994



Applications



features

- Inferential Type Dry Dial, Multi Jet, Magnetic Transmission.
- Straight Reading Cyclometer Type register for the most comfortable reading position of 7 rollers & 2 pointers.
- Only one moving part - the impeller - in contact with the water for minimum wear & utmost reliability.
- All the materials in contact with water, consciously selected by the known resistance to corrosion.
- Size Range 15mm.

Standards
IS 779:1994
ISO 4064:1993



Applications



PERFORMANCE DATA

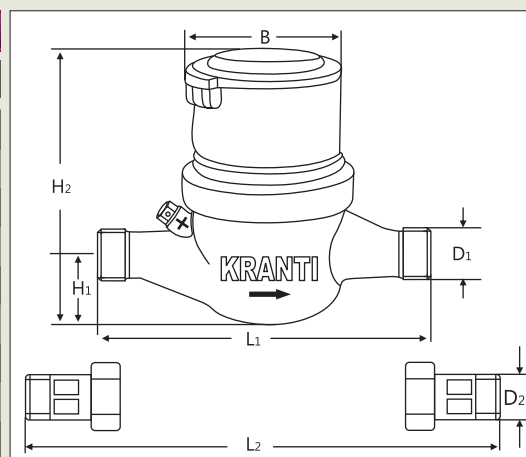
Nominal Sizes	Metero-logical	Q _{max}	Q _n	Q _t	Q _{min}	Maximum Register Capacity	Minimum Register Capacity	Accuracy Between Q _{max} & Q _t	Accuracy Between Q _t & Q _{min}
mm Inches	Class	Minimum Flow Rate (m ³ /h)	Nominal Flow Rate (m ³ /h)	Transitional Flow Rate (L/h)	Minimum Flow Rate (L/h)	(m ³)	(L)		
15 1/2"	Class-A	3	1.5	150	60	9999.99	1.0	± 3%	± 5%
20 3/4"	Class-A	5	2.5	250	100	9999.99	1.0		
25 1"	Class-A	7	3.5	350	140	9999.99	1.0		
40 1 1/2"	Class-A	20	10	1000	400	9999.99	1.0		
50 2"	Class-A	30	15	1500	600	9999.99	1.0		

Working Conditions :

▶ Water Temperature ≤ 90°C ▶ Water Pressure ≤ 1MPa ▶ Pressure Loss (a)ΔP<0.1MPa at Q_{max} (b)ΔP<0.025MPa at Q_n ▶ Maximum Pressure-16 Bar

DIMENSIONS

Model	KHO	KHO	KHO	KHO	KHO
Nominal Size (mm)	15	20	25	40	50
(Inches)	1/2	3/4	1	1 1/2	2
D1 - Meter Connection Thread ISO 228/1	G3/4 B	G1 B	G1 1/4 B	G2 B	G2 1/2 B
D2- Meter Connection Pipe ISO 7/1	R 1/2	R 3/4	R1	R1 1/2	R2
L1 - Length without Couplings (mm)	165	190	260	300	330
L2 - Length with Couplings (mm)	250	290	380	430	470
B - Width (mm) (Max.)	100	130	170	210	270
H1 - Centerline Height (Max.)	50	60	65	75	115
H2 - Overall Height (Max.)	180	240	260	300	300



PERFORMANCE DATA

Nominal Sizes	Metero-logical	Q _{max}	Q _n	Q _t	Q _{min}	Maximum Reading	Minimum Reading
mm Inch.	Class	(m ³ /h)	(m ³ /h)	(L/h)	(L/h)	(m ³)	(L)
15 1/2"	Class-B	3	1.5	120	30	99999.9999	0.05

IS 779:1994

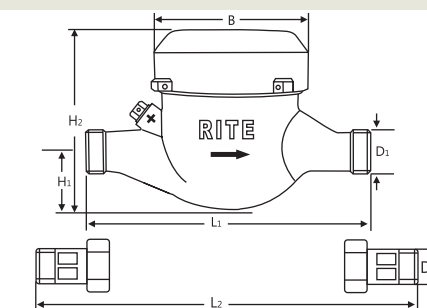


Accuracy :

- ▶ From minimum flow rate (Q_{min}) inclusive, to transitional flow rate (Q_t), exclusive : ± 5%
- ▶ From transitional flow rate (Q_t) inclusive, to maximum flow rate (Q_{max}), exclusive : ± 2%

Working Conditions :

- ▶ Water Temperature ≤ 50°C
- ▶ Water Pressure ≤ 1MPa
- ▶ Pressure Loss ΔP<0.1MPa at Q_{max} ΔP<0.025MPa at Q_n
- ▶ Maximum Pressure-16 Bar



DIMENSIONS

Model	RITE
Nominal Size (mm)	15
(Inches)	1/2
D1 - Meter Connection Thread ISO 228/1	G3/4 B
D2- Meter Connection Pipe ISO 7/1	R 1/2
L1 - Length without Couplings (mm)	165
L2 - Length with Couplings (mm)	250
B - Width (mm) (Max.)	100
H1 - Centerline Height (Max.)	50
H2 - Overall Height (Max.)	180

