



# DRAFT INDICATORS

501

- SLIM CASE ● HIGH READABILITY SCALE ●
- SILICONE DIAPHRAGM ● HIGH REPEATABILITY ●



SWITZER DRAFT INDICATORS are compact instruments for direct measurement of very low and medium draft pressure, positive, vacuum or differential.

These slim indicators match the performance of larger gauges, yet require only a quarter of the panel space. Full 127mm acrylic scales are easy to read even from a distance, and full size diaphragms are employed to assure a big gauge performance.

Mounting requires a rectangular panel cutout and clamps are provided. Zero adjustment from the rear is possible without dismantling the instrument.

SWITZER maintains a large library of standard scales to fit almost every application.

Standard scales have zero at the bottom of the scale for positive and at the top for negative ranges. For compound ranges, the positive range is at the top.

## GENERAL SPECIFICATIONS

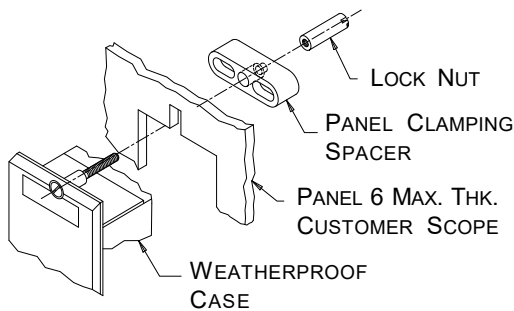
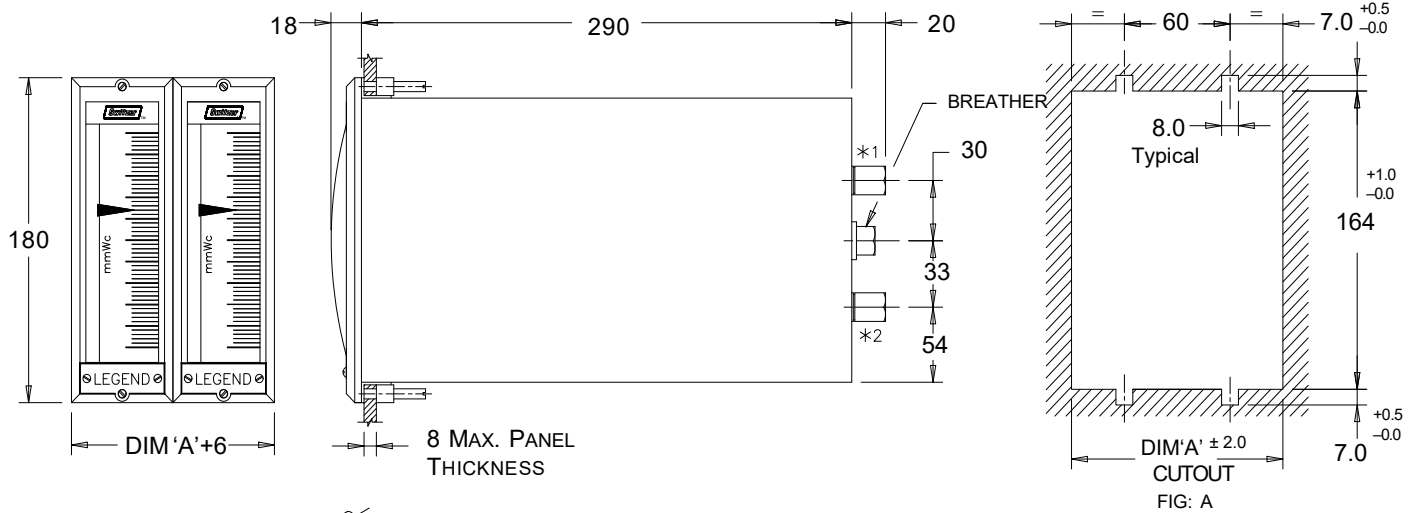
<b>Design</b>	HAYS-REPUBLIC, USA	<b>Max. Over Pressure</b>	200 mmWc for spans upto 100 mmWc
<b>Sensing Element</b>	Silicone Elastomer Diaphragm	<b>Max. Process Temp.</b>	80°C
<b>Case</b>	Pressed sheet steel, weather-proof to IP:65, IS:2147	<b>Process Connection</b>	Back; 1/4" NPT(F) standard and 1/8" NPT(F) optional
<b>Case Finish</b>	Baked hammertone grey.	<b>Mounting</b>	Flush panel standard 2" pipe mounting optional
<b>Movement</b>	Electro-polished 304SS pivots		
<b>Range</b>	0 to 25 mmWc minimum span 0 to 1500 mmWc max. span (Pressure, Suction or Differential)		
<b>Accuracy</b>	± 2% for spans above 50 mmWc ± 1 mmWc for spans upto 50 mmWc		

# ORDERING MATRIX

<b>STYLE</b>	<b>501</b>	<b>0</b>	<b>1</b>	<b>1</b>	<b>1</b>
<b>SCALE</b>					
Linear _____		0			
Square Root _____		1			
<b>INPUT</b>					
Direct (Single input) _____			1		
Differential (Dual input) _____			2		
<b>RANGETYPE</b>					
Positive range _____				1	
Vacuum range _____				2	
Compound range _____				3	
<b>CONNECTION</b>					
1/4" NPT(F) Back (Standard) _____					1
1/8" NPT(F) Back (Optional) _____					2
Special _____					3

**NOTE :** Legend will be restricted to 3 lines maximum, with 11 characters in each line. Please furnish legend details in the order.

# MOUNTING DIMENSIONS



**NOTES:**

1. FOR DIFFL. PR. INPUT – CONNECT PORT – 1 FOR HI & PORT 2 FOR LO
2. FOR SINGLE PR. INPUT – CONNECT PORT 2 ALONE
3. FIG.A IS FOR 2 INSTRUMENTS. FOR STACKING ADDITIONAL INSTRUMENTS, AT EVERY 60 mm INTERVALS PROVIDE TWO SLOTS OF 7 mm x 8 mm AS SHOWN (ONE AT TOP & ONE AT BOTTOM) .

<b>No. of Units</b>	1	2	3	4	5	6	7	8
<b>DIM 'A'</b>	54	114	174	234	294	354	414	474

**Note :** Ask factory for 2" Pipe Mounting Arrangement Drawing.

All dimensions are in mm

This is not a contractual document. Prior notification of changes in specifications is impracticable due to continuous improvement



## Switzer Process Instruments Pvt. Ltd.

REGD. OFFICE : 128, SIDCO North Phase, Ambattur Estates, Chennai 600 098 CIN : U29255TN2014PTC095662

[www.switzerprocess.co.in](http://www.switzerprocess.co.in)

**WORKS & SALES OFFICE**

128, SIDCO North Phase, Ambattur Estates, Chennai 600 050  
**Ph :** 044-2625 2017 / 2018 / 4324 / 4991 **Fax :** 044-2624 8849  
**e-mail :** works@switzerprocess.co.in; sales@switzerprocess.co.in

**SALES OFFICES**

**Bangalore** **Phone:** 080-22262613 **Fax :** 080-22257392  
**e-mail :** bangalorebr@switzerprocess.co.in

**Chennai** **Phone:** 044-2625 2017 / 2018 / 4991 **Fax :** 044-26248849  
**e-mail :** chennaibr@switzerprocess.co.in

**Hyderabad** **Phone:** 040-2781 1082 **Fax :** 040-2781 1082  
**e-mail :** hyderabadbr@switzerprocess.co.in

**Kolkata** **Phone:** 033-68888819  
**e-mail :** kolkatabr@switzerprocess.co.in

**Mumbai** **Phone:** 022-28575915 / 28575916  
**e-mail :** mumbaibr@switzerprocess.co.in

**New Delhi** **Phone:** 011-42331470 / 42331478  
**e-mail :** delhibr@switzerprocess.co.in

**Pune** **Mobile:** 020-66293361 to 3367  
**e-mail :** punebr@switzerprocess.co.in

**Vadodara (Agent)** **Phone:** 0265-2322906 **Fax :** 0265-2331649  
**e-mail :** vadodara.ag@switzerprocess.co.in